

Volvo Construction Equipment  
Building Tomorrow



# ECR355E

Volvo Crawler Excavators 34.1-38.0 t / 75,200-83,800 lb 241 hp



# WELCOME TO OUR WORLD

Welcome to a world of industry leading machinery. A world where imagination, hard work and technological innovation will lead the way towards developing a future which is cleaner, smarter, and more connected. A world supported by the enduring values of the Volvo Group. A world of stability, sustainability and innovation. A world which we put our customers at the heart of.

Welcome to the world of Volvo Construction Equipment – we think you're going to like it here.

## Working harder, working smarter

For over 180 years Volvo has been a pioneer in the design and manufacture of machines which set the standard for efficiency, performance and uptime. Across our range of excavators, wheel loaders and haulers, our reputation for engineering excellence is unrivalled, which means whatever your operation or application, we can provide a total fleet solution to help you succeed.

Building on our proud history, the Volvo Concept Lab continues to create cutting-edge ideas and innovative concepts, to ensure we offer customers machines which work harder and smarter long into the future.



## Solutions for you

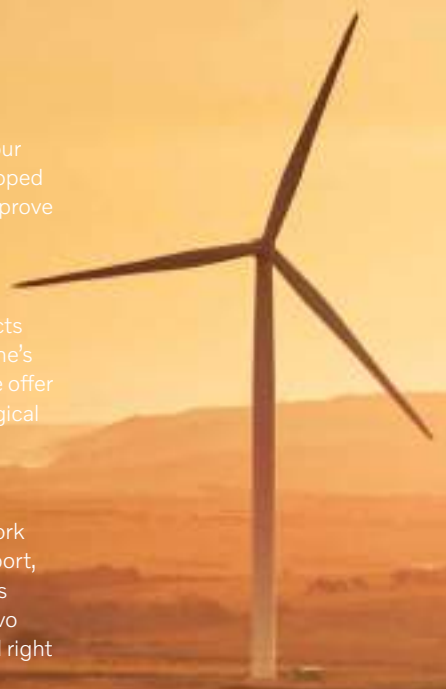
Our industry leading machines are just the start of your relationship with Volvo. As your partner, we have developed an extensive range of additional solutions to help you improve uptime, boost productivity and reduce costs.

### Designed for your business

Structured across nine blocks, our portfolio of products and services are designed to complement your machine's performance and boost your profitability. Simply put, we offer some of the best guarantees, warranties and technological solutions in the industry today.

### There when you need us

Whether you're buying new or used, our global network of dealers and technicians offer around-the-clock support, including machine monitoring and world-class parts availability. It's the basis of everything offered by Volvo Services, so you can be confident we've got you covered right from the start.



**BUILDING TOMORROW**





# SHORT SWING, SOLID STABILITY

Operate with complete confidence with the ECR355E. The heavy-duty, short swing machine provides unshakable stability, enabling you to gain the most from the power. The solid design features precisely positioned components for optimal balance, as well as an optional dozer blade that can be used to level the excavator when working on uneven ground and for faster clean-ups.

# Never short on performance

Proving that you don't need to make compromises, the new ECR355E short swing radius excavator from Volvo is designed for working in confined areas – while delivering digging performance, fast cycle times, balance and stability that rival conventional excavators. Get to work without delay in the robust machine, powered by the fuel-efficient Tier 4 Final certificated Volvo engine and do more for less.

## The right mode for the job

Keep performance high and costs low with the integrated Volvo work mode system. Choose the best work mode for the task at hand – select from I (Idle), F (Fine) and G (General), H (Heavy). The new ECO mode uses the latest electronic pump control technology to further boost fuel efficiency without any loss in performance.



## Power to perform

Power your operation with the fuel-efficient Tier 4 Final certificated Volvo engine, combining high torque and low RPM for superior, long-lasting performance. Based on proven, advanced technology and decades of experience, the robust D8 engine delivers 241 Hp (180kW) of power, while reducing both fuel consumption and emissions.



## Get to work – fast

Cut cycle times to a minimum and increase profitability with the E-Series electro-hydraulic system. Working in combination with the Volvo engine, the advanced system increases pump power for faster and smoother operation, all while providing greater control, superior digging performance and unbeatable productivity.



## Do more for less

Increase fuel efficiency by up to 10% with the ECR355E, designed to help you do more for less. The efficient Tier 4 Final certificated Volvo engine and superior hydraulic performance at lower engine RPM result in improved fuel efficiency without any loss of performance in most operating conditions. Cut cycle times thanks to the boom float function, which saves pump power when lowering the boom.





# Short swing, big potential

No task is too tough for the robust and versatile ECR355E. The short swing radius machine is a proven partner to increase productivity on tight job sites. Combining superior digging performance, greater lifting capacity, ease of mobility and a precise finish in grading applications, the ECR355E is a compact machine that packs a powerful punch.

## Adapt to any application

From road construction to heavy infrastructure work, the ECR355E's class-leading short swing radius goes where conventional machines cannot. Add the Volvo dozer blade, quick coupler and auxiliary hydraulics or the optional two-piece boom, and the result is greater versatility and productivity. Adapt to any application with the ECR355E without compromising on reach, lifting or digging performance.



## Go anywhere ability

Go everywhere in the ECR355E, designed to deliver maximum mobility, performance and power for its size. Thanks to its compact design, the machine is ideal for working in confined spaces and can easily be transported from site to site.



## Productivity Services

Improve and maintain site productivity with a host of smart solutions offered by Productivity Services. Operator behavior, site setup and machine configuration are just some of the many factors within Productivity Services that can be refined to boost productivity. Choose from various machine options, Assist solutions and training packages to enhance the performance of your Volvo fleet – so you can do more and earn more.



## Making the grade

Experience smooth operation, fast response times and high performance with the ECR355E, featuring increased hydraulic flow for accurate control in grading and combined operations. Benefit from easier movement when traveling and lifting simultaneously, and better grading quality thanks to the synchronized boom and arm movement. Designed to complement each other, the enhancements also contribute to low fuel consumption.





# LIFT MORE, DIG MORE

Dig, swing and load more than before with the ECR355E, powered by advanced electro-hydraulic technology. Offering a significant increase in both lifting capacity and digging force this machine is ideal for pipelaying, trench-box installation and utility work. With the ECR355E, hard work has never been so easy.





# UP TO THE TEST

Built on the established E-Series platform, the ECR355E features all the proven Volvo technology you'd expect from a short swing radius excavator, plus a host of upgrades. Durable by design, the ECR355E has undergone extensive testing to ensure the highest standard of productivity and machine uptime.



# Take on the tough stuff

Always available and ready to work, the ECR355E knocks big jobs down to size. This robust machine delivers ultimate uptime across a variety of applications – no matter how demanding – thanks to its sturdy design, reliable and wear-resistant components, reinforced undercarriage and easy service access.

## Durable by design

Achieve non-stop production with the durable and reliable ECR355E. Built with robust components, including a strong X-frame undercarriage featuring forged steel top rollers, and Volvo's rugged boom and arms, the machine can be relied on for longevity and sustained uptime.



## Uptime Services

Reduce repair costs and unplanned downtime with Uptime Services, designed to help keep your machine and business up and running. Utilizing innovative technology, Volvo dealers remotely monitor your machine. Any problems can be diagnosed early and corrective steps taken towards a sustainable solution. Stay on track with the latest software, planned servicing, flexible maintenance and repair options.



## Simple serviceability

Maximize uptime with quick and safe ground-level servicing. Essential maintenance points – including pump pressure taps, filters and the cooling package – are easily accessed via the wide-opening compartment doors, which can be latched at 90°. And, with logically-grouped greasing manifolds, anti-slip plates and plentiful handrails, you can get back to work swiftly and safely.



## Heavy-duty options

For demolition and other heavy-duty applications, Volvo offers reinforcement and guarding packages to ensure your Volvo machine is well-protected. Unlock the potential of your ECR355E's uptime with a range of options, including the boom and bucket cylinder guards, heavy-duty side doors, reinforced belly-plates, slew ring protection and frame and cab-mounted Falling Object Guarding (FOG) packages.



# Get up close and personal

## TAKE CONTROL

Flow sharing hydraulics ensure smooth, precise control of simultaneous functions for more efficient operations.

### Get to work – fast

Do more in less time thanks to the hydraulics system, designed to work in harmony with the engine for fast cycle times.

### Adapt to any application

Adjust to any application with the ECR355E without compromising on reach, lifting or digging performance.

## LIFT MORE, DIG MORE

Offering an increase in both lifting capacity and digging force, the ECR355E is ideal for pipelaying, trench-box installation and utility work.

### Comfortably productive

The newly designed E-Series ROPS certified Volvo cab has improved all-around visibility, more space and ergonomic controls.

## MIX AND MATCH

Volvo's durable attachments have been purpose-built to deliver maximum productivity and long service life in combination with Volvo machines.





## UP TO THE TEST

Built to last, the undercarriage features a strong X-frame structure, forged steel top rollers, sealed track link and reinforced track guard.

### Every angle in view

For a clear view of your job site, the cab's slim pillars and large expanses of glass result in excellent all-around visibility.

## SHORT SWING, SOLID STABILITY

The excavator features precisely positioned components for optimal balance, as well as an optional dozer blade.

### Simple serviceability

Anti-slip plates, handrails, wide steps and large compartment doors provide easy and safe access to all checkpoints.

### Power to perform

Rely on a top performance from the ECR355E, featuring a powerful Volvo D8 engine for fast and efficient operation.

### Do more for less

Boost fuel efficiency by up to 10% with the Volvo engine and superior hydraulic performance at lower engine RPM.





# TAKE CONTROL

Take control of your machine with a host of new features. The customized response modes in the joysticks and the positive control hydraulic system deliver equal measures power and precision, the machine does exactly what the operator intends to optimize productivity and performance. The hydraulic system is matched to the Volvo D8 engine, further enhancing the power and controllability of the excavator.



# Do more – comfortably

Get comfortable with doing more in the Volvo ECR355E. The new E-Series is designed to maneuver in and out of confined areas, yet remains spacious and comfortable. The low-noise cab increases efficiencies and reduces operator fatigue thanks to a number of features, including the automatic climate control system. Do more with Volvo – because a comfortable operator is a more productive operator.

## Comfortably productive

Comfort is key. The industry-leading ROPS certified Volvo cab's expansive window area offers unparalleled visibility. The adjustable seat, ample legroom and vibration dampeners deliver superior comfort and productivity. With ergonomic controls and simplified switches integrated into the keypad, the Human Machine Interface (HMI) brings the operator and technology together, forming one cohesive working environment.



## Volvo Smart View

Enhance performance and safety with Volvo Smart View. The optional feature combines four exterior-mounted cameras to create a bird's eye view of the machine, displayed via the on-board monitor. With Volvo Smart View, you can observe all surrounding areas, which is particularly valuable in confined spaces where an extra pair of eyes informs you of the machine's position in relation to the job at all times.



## Every angle in view

From the Volvo cab, experience all-around visibility around the machine and surrounding job site thanks to narrow pillars and large windows. The ergonomically designed cab also features a large vertical windshield for greater visibility, safety and convenience – the large upper front window can be easily rolled up and out of the way, while the lower portion can be easily removed and stowed inside the cab.



## Keep cool

Stay fresh, alert and focused with the E-Series climate control system. The industry-leading air circulation and defrosting system speeds up the heating and cooling of the cab for a more comfortable environment. Easily adjust the system from the 8" LCD monitor.



# More than a machine

Complete a variety of tasks with the versatile ECR355E, designed to work in harmony with integrated attachments from Volvo. With Volvo's quick couplers and attachment management system, you can easily switch between buckets, hydraulic breakers, and even the Steelwrist® tilt rotator. Maximize cycle times and productivity with the Volvo short swing radius excavator – more than just a machine.

## Steelwrist®

Volvo's tilt rotator can be ordered factory-installed with dedicated joysticks and a color display that is fully integrated into the machine's system. The new series of Volvo Aggressive Cut excavator buckets are perfectly matched to the factory-installed tilt rotator.



## Locked on

Volvo offers a full range of quick couplers, which includes Volvo's S-type, universal and Steelwrist® quick coupler. Offering smooth transitions and quick attachment changes, Volvo's quick couplers make changing attachments quick and easy – all from the comfort and safety of the cab.



## Auxiliary piping

To achieve the correct flow and pressure for hydraulic attachments such as mowers, grinders, shears, crushers and tilt rotators, the machine can be factory fitted with a wide variety of auxiliary hydraulic lines.



## Get set and go

The password protected attachment management system allows storage for up to 20 different attachments. The user-friendly system allows the operator to pre-set the correct hydraulic flow and pressure inside the cab through the monitor, to get the most performance from attachments.







# MIX AND MATCH

Get the most out of your machine with Volvo attachments. Choose from a selection of purpose-built attachments, including the hydraulic breakers, general-purpose buckets, heavy-duty buckets and hydraulic thumbs. Or, utilize the attachment management system with optional pressure settings to install a number of aftermarket work tools to give your machine unrestricted access to more applications.

# Volvo ECR355E in detail

## Engine

The latest generation, Volvo engine Tier 4f emissions certificated diesel engine fully meets the demands of the latest, emissions regulations. Featuring Volvo Advanced Combustion Technology (V-ACT), it is designed to deliver superior performance and fuel efficiency. The engine uses precise, high pressure fuel injectors, turbo charger and air-to-air intercooler, and electronic engine controls to optimize machine performance.

- Air Filter: 3-stage with precleaner
- Automatic Idling System: Reduces engine speed to idle when the levers and pedals are not activated resulting in less fuel consumption and low cab noise levels.

Engine	Volvo	D8J
Max power at	r/min (r/s)	1,800 (30)
Net, ISO 9249/SAE J1349	kW (hp)	179 (240)
Gross, ISO 14396/SAE J1995	kW (hp)	180 (241)
Max torque	Nm (ft lbf)	1,238 (913)
at engine speed	r/min (r/s)	1,350 (22.5)
No. of cylinders		6
Displacement	l (in <sup>3</sup> )	7.8 (476)
Bore	mm (in)	110 (4.33)
Stroke	mm (in)	136 (5.35)

## Electrical system

Well protected high-capacity electrical system. Waterproof double-lock harness plugs are used to secure corrosion-free connections. The main relays and solenoid valves are shielded to prevent damage. The master switch is standard. Contronics provides advanced monitoring of machine functions and important diagnostic information.

Voltage	V	24
Batteries	V	2 x 12
Battery capacity	Ah	170
Alternator	V/A	28/120
Start motor	V - kW	24 - 5.5

## Undercarriage

Robust X-shaped frame with greased and sealed track chains as standard

### ECR355EL

Track shoe		2 x 48
Link pitch	mm (in)	215.9 (8.5)
Shoe width, triple grouser	mm (in)	600 / 700 / 800 / 850 (24 / 28 / 31 / 33)
Shoe width, double grouser	mm (in)	600 (24)
Bottom rollers		2 x 8
Top rollers		2 x 2

### ECR355ENL

Track shoe		2 x 48
Link pitch	mm (in)	215.9 (8.5)
Shoe width, triple grouser	mm (in)	600 / 700 / 800 / 850 (24 / 28 / 31 / 33)
Shoe width, double grouser	mm (in)	600 (24)
Bottom rollers		2 x 8
Top rollers		2 x 2

## Swing system

The swing system uses an axial piston motors, driving a planetary gearbox for maximum torque. An automatic holding brake and antirebound valve are standard

Max. slew speed	r/min	10.2
Max. slew torque	kNm (ft lbf)	117.6 (86,740)

## Travel System

Each track is powered by an automatic two-speed shift travel motor. The track brakes are multi-disc, spring-applied and hydraulic released. The travel motor, brake and planetary gears are well protected within the track frame.

Max. drawbar pull	kN (lbf)	275 (61,800)
Max. travel speed (low)	km/h (mi/h)	3 (1.9)
Max. travel speed (high)	km/h (mi/h)	4.5 (2.8)
Gradeability	°	35

## Hydraulic system

The hydraulics system, combined with the fully electronic control system and advanced ECO mode, has been optimized to work in harmony with engine to match the engine power, reduce power loss and improve controllability and response time.

The following important functions are included in the system:

- Summation system: Combines the flow of both hydraulic pumps to ensure quick cycle times and high productivity.
- Boom priority: Gives priority to the boom operation for faster raising when loading or performing deep excavations.
- Arm priority: Gives priority to the arm operation for faster cycle times in leveling and for increased bucket filling when digging.
- Swing priority: Gives priority to swing functions for faster simultaneous operations.
- Regeneration system: Prevents cavitation and provides flow to other movements during simultaneous operations for maximum productivity.
- Power boost: All digging and lifting forces are increased.
- Holding valves: Boom and arm holding valves prevent the digging equipment from creeping.

### Main pump. Type: 2 x Variable displacement axial piston pumps

Maximum flow	l/min (gal/min)	2 x 263 (2 x 69)
--------------	-----------------	------------------

### Pilot pump. Type: Gear pump

Maximum flow	l/min (gal/min)	1 x 18 (1 x 5)
--------------	-----------------	----------------

### Relief valve setting pressure

Implement	MPa (psi)	33.3 / 36.3 (4,840 / 5,260)
Travel circuit	MPa (psi)	36.3 (5,260)
Slew circuit	MPa (psi)	27.5 (3,980)
Pilot circuit	MPa (psi)	3.9 (570)

## Hydraulic Cylinders

Mono boom		2
Bore x Stroke	ø x mm (ø x in)	140 x 1,511 (5.5 x 59.5)
1st boom of 2-piece boom		2
Bore x Stroke	ø x mm (ø x in)	140 x 1,460 (5.5 x 57.5)
2nd boom of 2-piece boom		1
Bore x Stroke	ø x mm (ø x in)	170 x 1,300 (6.7 x 51.2)
Arm		1
Bore x Stroke	ø x mm (ø x in)	150 x 1,745 (5.9 x 68.7)
Bucket		1
Bore x Stroke	ø x mm (ø x in)	140 x 1,140 (5.5 x 44.9)
Dozer blade		2
Bore x Stroke	ø x mm (ø x in)	165 x 385 (6.5 x 15.2)

## Service Refill

Fuel tank	l (gal)	348 (92)
DEF/AdBlue® tank	l (gal)	31 (8)
Hydraulic system, total	l (gal)	370 (98)
Hydraulic tank	l (gal)	243 (64)
Engine oil	l (gal)	32 (8)
Engine coolant	l (gal)	36 (10)
Slew reduction unit	l (gal)	6.1 (2)
Travel reduction unit	l (gal)	2 x 6.8 (2 x 2)

## Cab

The operator's cab has easy access via a wide door opening. The cab is supported on hydraulic dampening mounts to reduce shock and vibration levels. These along with sound absorbing lining provide low noise levels. The cab has excellent all-round visibility. The front windshield can easily slide up into the ceiling, and the lower front glass can be removed and stored in the RH side of cab inner space.

Integrated air-conditioning and heating system: The pressurized and filtered cab air is supplied by an automatically controlled fan. The air is distributed throughout the cab from 8 vents.

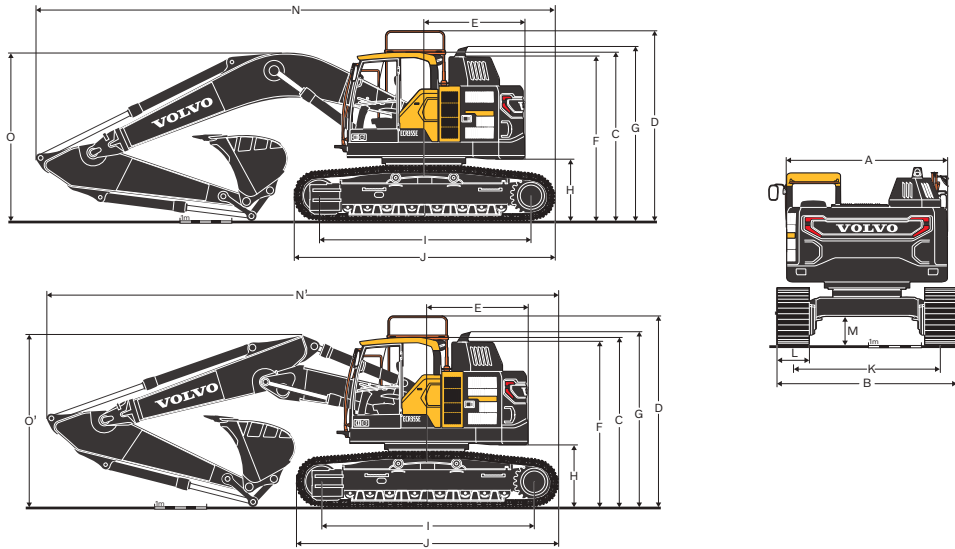
Ergonomic operator's seat: The adjustable seat and joystick console move independently to accommodate the operator. The seat has 12 different adjustments plus a seat belt for the operator's comfort and safety. Refrigerant of the type R134a is used when this machine is equipped with air conditioning. Contains fluorinated greenhouse gas R134a, Global Warming Potential 1.430 t CO<sub>2</sub>-eq.

## Sound Level

Sound pressure level in cab according to ISO 6396		
L <sub>pA</sub> (standard)	dB	72
L <sub>pA</sub> (tropical)	dB	72
External sound level according to ISO 6395 and EU Noise Directive 2000/14/EC		
L <sub>WA</sub> (standard)	dB	104
L <sub>WA</sub> (tropical)	dB	105



# Specifications



## DIMENSIONS

Description	Unit		ECR355EL					
Boom			6.2 m (20'4") mono boom or 6.2 m (20'4") 2-piece boom					
Arm	m	ft in	2.55	8'4"	3.05	10'0"	3.7	12'2"
A. Overall width of upper structure	mm	ft in	2,990	9'10"	2,990	9'10"	2,990	9'10"
B. Overall width	mm	ft in	3,590	11'9"	3,590	11'9"	3,590	11'9"
C. Overall height of cab	mm	ft in	3,200	10'6"	3,200	10'6"	3,200	10'6"
D. Overall height of guardrail (Unfolded)	mm	ft in	3,615	11'10"	3,615	11'10"	3,615	11'10"
E. Tail swing radius	mm	ft in	1,900	6'3"	1,900	6'3"	1,900	6'3"
F. Overall height of engine hood	mm	ft in	3,110	10'2"	3,110	10'2"	3,110	10'2"
G. Overall height of diffuser	mm	ft in	3,300	10'10"	3,300	10'10"	3,300	10'10"
H. Counterweight clearance *	mm	ft in	1,160	3'10"	1,160	3'10"	1,160	3'10"
I. Tumbler length	mm	ft in	4,020	13'2"	4,020	13'2"	4,020	13'2"
J. Track length	mm	ft in	4,946	16'3"	4,946	16'3"	4,946	16'3"
K. Track gauge	mm	ft in	2,740	9'0"	2,740	9'0"	2,740	9'0"
L. Shoe width	mm	ft in	850	2'10"	850	2'10"	850	2'10"
M. Min. ground clearance *	mm	ft in	500	1'8"	500	1'8"	500	1'8"
N. Overall length	mm	ft in	9,950	32'8"	9,865	32'4"	9,890	32'5"
N'. Overall length	mm	ft in	9,948	32'8"	9,883	32'5"	9,878	32'5"
O. Overall height of boom	mm	ft in	3,445	11'4"	3,305	10'10"	3,550	11'8"
O'. Overall height of boom	mm	ft in	3,355	11'0"	3,300	10'10"	3,530	11'7"

2piece boom

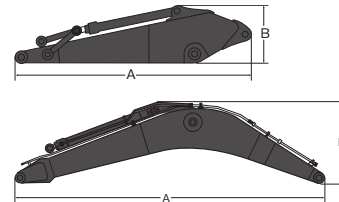
\* Without shoe grouser

## DIMENSIONS / Boom and arm

Description	Unit	Boom				Arm						
		HD		2-piece		HD		GP				
	m	ft in	6.2	20'4"	6.2	20'4"	2.55	8'4"	3.05	10'0"	3.7	12'2"
A. Length	mm	ft in	6,430	21'1"	6,427	21'1"	3,710	12'2"	4,150	13'7"	4,900	16'1"
B. Height	mm	ft in	1,680	5'6"	1,490	4'11"	1,010	3'4"	1,010	3'4"	1,050	3'5"
Width	mm	ft in	770	2'6"	770	2'6"	545	1'9"	545	1'9"	545	1'9"
Weight	kg	lb	2,480	5,467	2,808	6,191	1,475	3,252	1,540	3,395	1,680	3,704

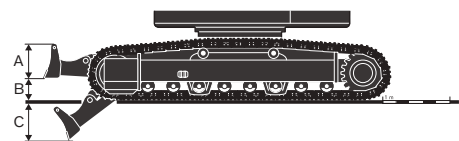
Boom: Includes cylinder, piping and pin, excludes boom cyl. Pin

Arm: Includes cylinder, linkage and pin

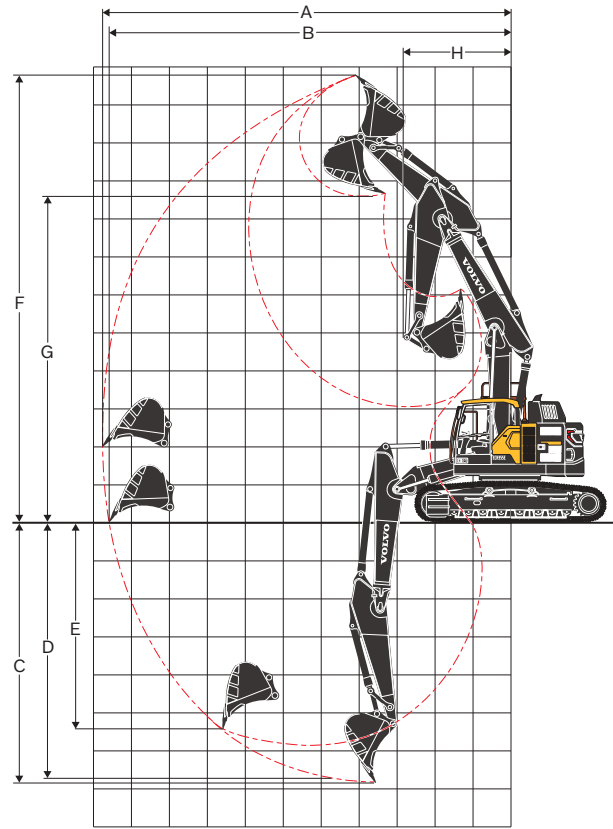
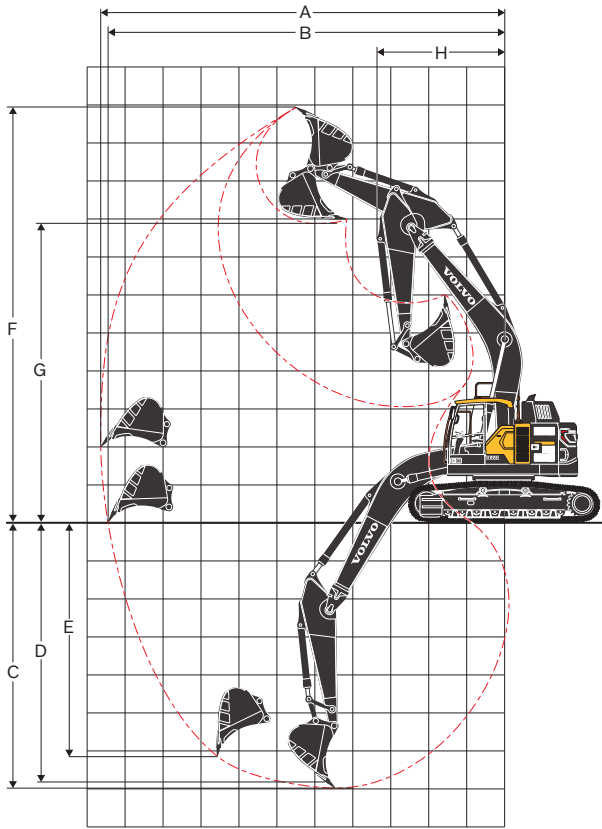


## DIMENSIONS / Dozer blade

Description	Unit			
A. Height	mm	ft in	744	2'5"
Width Dozer Blade	mm	ft in	3,340	10'11"
Weight	kg	lb	1,985	4,376
B. Lift height	mm	ft in	623	2'1"
C. Digging depth	mm	ft in	668	2'2"



# Specifications



## WORKING RANGES

Description	Unit		ECR355E											
			6.2 m (20'4") mono boom						6.2 m (20'4") 2-piece boom					
Boom			2.55	8'4"	3.05	10'0"	3.7	12'2"	2.55	8'4"	3.05	10'0"	3.7	12'2"
Arm	m	ft in												
A. Max. digging reach	mm	ft in	10,110	33'2"	10,635	34'11"	11,240	36'11"	10,211	33'6"	10,741	35'3"	11,356	37'3"
B. Max. digging reach on ground	mm	ft in	9,905	32'6"	10,445	34'3"	11,065	36'4"	10,009	32'10"	10,550	34'7"	11,175	36'8"
C. Max. digging depth	mm	ft in	6,460	21'2"	6,960	22'10"	7,610	24'12"	6,293	20'8"	6,562	21'6"	7,460	24'6"
D. Max. digging depth (l=2.44 m, 8'0" level)	mm	ft in	6,260	20'6"	6,795	22'4"	7,465	24'6"	6,190	20'4"	6,721	22'1"	7,370	24'2"
E. Max. vertical wall digging depth	mm	ft in	5,600	18'4"	6,130	20'1"	6,755	22'2"	4,796	15'9"	5,384	17'8"	5,974	19'7"
F. Max. cutting height	mm	ft in	10,455	34'4"	10,915	35'10"	11,285	37'0"	11,268	36'12"	11,773	38'8"	12,240	40'2"
G. Max. dumping height	mm	ft in	7,435	24'5"	7,855	25'9"	8,230	27'0"	8,101	26'7"	8,577	28'2"	9,046	29'8"
H. Min. front swing radius	mm	ft in	3,285	10'9"	3,365	11'0"	3,340	10'11"	2,988	9'10"	2,747	9'0"	2,913	9'7"

## DIGGING FORCES WITH DIRECT FIT BUCKET

Bucket capacity		l	gal	1,270	335	1,270	335	1,270	335	1,270	335	1,270	335	1,270	335	
Breakout force (bucket)	Normal	SAE J1179	kN	lbf	165	37,093	165	37,093	165	37,093	165	37,093	165	37,093	165	37,093
	Power boost	SAE J1179	kN	lbf	179	40,241	179	40,241	179	40,241	179	40,241	179	40,241	179	40,241
	Normal	ISO 6015	kN	lbf	192	43,163	192	43,163	192	43,163	192	43,163	192	43,163	192	43,163
Tearout force (arm)	Power boost	ISO 6015	kN	lbf	209	46,985	209	46,985	209	46,985	209	46,985	209	46,985	209	46,985
	Normal	SAE J1179	kN	lbf	148.9	33,474	133.0	29,900	116.8	26,258	148.9	33,474	133.0	29,900	116.8	26,258
	Power boost	SAE J1179	kN	lbf	161.2	36,239	144.0	32,372	126.4	28,416	161.2	36,239	144.0	32,372	126.4	28,416
	Normal	ISO 6015	kN	lbf	152.3	34,238	136.0	30,574	119.4	26,842	152.3	34,238	136.0	30,574	119.4	26,842
Power boost	ISO 6015	kN	lbf	165.7	37,251	148.0	33,272	129.9	29,203	165.7	37,251	148.0	33,272	129.9	29,203	
Rotation angle, bucket			°	179												



**MACHINE WEIGHTS AND GROUND PRESSURE - ECR355EL**

Description	Shoe width		Operating weight		Ground pressure		Overall width		Operating weight		Ground pressure		Overall width	
	mm	in	kg	lb	kPa	psi	mm	ft in	kg	lb	kPa	psi	mm	ft in
			<b>6.2 m (20'4") mono boom, 2.55 m (8'4") arm, 1.27 m<sup>3</sup> (1.66 yd<sup>3</sup>) bucket, 8,450 kg (18,630 lb) counterweight</b>						<b>6.2 m (20'4") mono boom, 2.55 m (8'4") arm, 1.27 m<sup>3</sup> (1.66 yd<sup>3</sup>) bucket, 8,450 kg (18,630 lb) counterweight, with dozer blade</b>					
Triple grouser	600	24	34,152	75,292	63.7	9.2	3,340	10'11"	36,551	80,581	68.6	9.9	3,340	10'11"
	700	28	34,777	76,670	55.9	8.1	3,440	11'3"	37,176	81,959	59.8	8.7	3,440	11'3"
	800	32	35,165	77,525	50.0	7.3	3,540	11'7"	37,564	82,814	53.0	7.7	3,540	11'7"
	850	33	35,348	77,929	47.1	6.8	3,590	11'9"	37,747	83,218	50.0	7.3	3,590	11'9"
Double grouser	600	24	34,850	76,831	65.7	9.5	3,340	10'11"	37,249	82,120	69.6	10.1	3,340	10'11"
			<b>6.2 m (20'4") 2-piece boom, 2.55 m (8'4") arm, 1.27 m<sup>3</sup> (1.66 yd<sup>3</sup>) bucket, 8,450 kg (18,630 lb) counterweight</b>						<b>6.2 m (20'4") 2-piece boom, 2.55 m (8'4") arm, 1.27 m<sup>3</sup> (1.66 yd<sup>3</sup>) bucket, 8,450 kg (18,630 lb) counterweight, with dozer blade</b>					
Triple grouser	600	24	34,512	76,086	64.7	9.4	3,340	10'11"	36,911	81,375	69.6	10.1	3,340	10'11"
	700	28	35,137	77,464	56.9	8.3	3,440	11'3"	37,536	82,753	60.8	8.8	3,440	11'3"
	800	32	35,525	78,319	50.0	7.3	3,540	11'7"	37,924	83,608	53.9	7.8	3,540	11'7"
	850	33	35,708	78,723	47.1	6.8	3,590	11'9"	38,107	84,011	51.0	7.4	3,590	11'9"
Double grouser	600	24	35,210	77,625	65.7	9.5	3,340	10'11"	37,609	82,914	70.6	10.2	3,340	10'11"
			<b>6.2 m (20'4") mono boom, 3.05 m (10'0") arm, 1.27 m<sup>3</sup> (1.66 yd<sup>3</sup>) bucket, 8,450 kg (18,630 lb) counterweight</b>						<b>6.2 m (20'4") mono boom, 3.05 m (10'0") arm, 1.27 m<sup>3</sup> (1.66 yd<sup>3</sup>) bucket, 8,450 kg (18,630 lb) counterweight, with dozer blade</b>					
Triple grouser	600	24	34,210	75,420	64.7	9.4	3,340	10'11"	36,609	80,709	68.6	9.9	3,340	10'11"
	700	28	34,835	76,798	55.9	8.1	3,440	11'3"	37,234	82,087	59.8	8.7	3,440	11'3"
	800	32	35,223	77,653	50.0	7.3	3,540	11'7"	37,622	82,942	53.0	7.7	3,540	11'7"
	850	33	35,406	78,057	47.1	6.8	3,590	11'9"	37,805	83,346	50.0	7.3	3,590	11'9"
Double grouser	600	24	34,908	76,959	65.7	9.5	3,340	10'11"	37,307	82,248	69.6	10.1	3,340	10'11"
			<b>6.2 m (20'4") 2-piece boom, 3.05 m (10'0") arm, 1.27 m<sup>3</sup> (1.66 yd<sup>3</sup>) bucket, 8,450 kg (18,630 lb) counterweight</b>						<b>6.2 m (20'4") 2-piece boom, 3.05 m (10'0") arm, 1.27 m<sup>3</sup> (1.66 yd<sup>3</sup>) bucket, 8,450 kg (18,630 lb) counterweight, with dozer blade</b>					
Triple grouser	600	24	34,570	76,214	64.7	9.4	3,340	10'11"	36,969	81,503	69.6	10.1	3,340	10'11"
	700	28	35,195	77,592	56.9	8.3	3,440	11'3"	37,594	82,880	60.8	8.8	3,440	11'3"
	800	32	35,583	78,447	50.0	7.3	3,540	11'7"	37,982	83,736	53.9	7.8	3,540	11'7"
	850	33	35,766	78,850	47.1	6.8	3,590	11'9"	38,165	84,139	51.0	7.4	3,590	11'9"
Double grouser	600	24	35,268	77,753	66.7	9.7	3,340	10'11"	37,667	83,041	70.6	10.2	3,340	10'11"
			<b>6.2 m (20'4") mono boom, 3.7 m (12'2") arm, 1.27 m<sup>3</sup> (1.66 yd<sup>3</sup>) bucket, 8,450 kg (18,630 lb) counterweight</b>						<b>6.2 m (20'4") mono boom, 3.7 m (12'2") arm, 1.27 m<sup>3</sup> (1.66 yd<sup>3</sup>) bucket, 8,450 kg (18,630 lb) counterweight, with dozer blade</b>					
Triple grouser	600	24	34,083	75,140	63.7	9.2	3,340	10'11"	36,482	80,429	68.6	9.9	3,340	10'11"
	700	28	34,708	76,518	55.9	8.1	3,440	11'3"	37,107	81,807	59.8	8.7	3,440	11'3"
	800	32	35,096	77,373	49.0	7.1	3,540	11'7"	37,495	82,662	53.0	7.7	3,540	11'7"
	850	33	35,279	77,777	47.1	6.8	3,590	11'9"	37,678	83,066	50.0	7.3	3,590	11'9"
Double grouser	600	24	34,781	76,679	65.7	9.5	3,340	10'11"	37,180	81,968	69.6	10.1	3,340	10'11"
			<b>6.2 m (20'4") 2-piece boom, 3.7 m (12'2") arm, 1.27 m<sup>3</sup> (1.66 yd<sup>3</sup>) bucket, 8,450 kg (18,630 lb) counterweight</b>						<b>6.2 m (20'4") 2-piece boom, 3.7 m (12'2") arm, 1.27 m<sup>3</sup> (1.66 yd<sup>3</sup>) bucket, 8,450 kg (18,630 lb) counterweight, with dozer blade</b>					
Triple grouser	600	24	34,443	75,934	64.7	9.4	3,340	10'11"	36,842	81,223	69.6	10.1	3,340	10'11"
	700	28	35,068	77,312	56.9	8.3	3,440	11'3"	37,467	82,600	60.8	8.8	3,440	11'3"
	800	32	35,456	78,167	50.0	7.3	3,540	11'7"	37,855	83,456	53.0	7.7	3,540	11'7"
	850	33	35,639	78,570	47.1	6.8	3,590	11'9"	38,038	83,859	50.0	7.3	3,590	11'9"
Double grouser	600	24	35,141	77,473	65.7	9.5	3,340	10'11"	37,540	82,761	70.6	10.2	3,340	10'11"

# Specifications

## BUCKET SELECTION GUIDE

Bucket type	Capacity		Cutting width		Weight		Teeth	ECR355EL, 600 mm (24 in) shoe, 8,450 kg (18,630 lb) counterweight, without dozer blade						ECR355EL, 600 mm (24 in) shoe, 8,450 kg (18,630 lb) counterweight, with dozer blade							
								6.2 m (20'4") HD boom			6.2 m (20'4") 2-piece boom			6.2 m (20'4") HD boom			6.2 m (20'4") 2-piece boom				
	m <sup>3</sup>	yd <sup>3</sup>	mm	in	kg	lb	EA	2.55 m (8'4") arm	3.05 m (10'0") arm	3.7 m (12'2") arm	2.55 m (8'4") arm	3.05 m (10'0") arm	3.7 m (12'2") arm	2.55 m (8'4") arm	3.05 m (10'0") arm	3.7 m (12'2") arm	2.55 m (8'4") arm	3.05 m (10'0") arm	3.7 m (12'2") arm		
Direct fit Buckets Without Quick Coupler	General purpose	0.95	1.24	1,500	59.1	796	1,755	-	B	B	B	B	B	B	B	B	B	B	B	B	
		1.03	1.35	1,600	63.0	835	1,841	-	B	B	B	B	B	B	B	B	B	B	B	B	
		0.55	0.72	600	23.6	881	1,942	3	C	C	C	C	C	C	C	C	C	C	C	C	
		0.66	0.86	750	29.5	928	2,046	3	C	C	C	C	C	C	C	C	C	C	C	C	
		0.77	1.01	900	35.4	996	2,196	4	C	C	C	C	C	C	C	C	C	C	C	C	
		0.95	1.24	1,050	41.3	1,018	2,244	4	C	C	C	C	C	C	C	C	C	C	C	C	
		1.14	1.49	1,200	47.2	1,187	2,617	5	C	C	C	C	C	C	C	C	C	C	C	C	
		1.27	1.66	1,310	51.6	1,191	2,626	5	C	C	C	C	C	C	C	C	C	C	C	C	
		1.32	1.73	1,350	53.1	1,267	2,793	5	C	C	C	C	C	C	C	C	C	C	C	C	
		1.45	1.9	1,450	57.1	1,263	2,784	5	C	C	C	C	C	C	C	C	C	C	C	C	
		1.51	1.98	1,500	59.1	1,365	3,009	5	C	C	C	C	C	C	C	C	C	C	C	C	
		1.76	2.3	1,700	66.9	1,448	3,192	6	C	C	C	C	C	B	C	C	C	C	C	C	
		2.06	2.69	1,950	76.8	1,590	3,505	6	C	B	A	C	B	A	C	C	C	C	C	C	
		Heavy Duty	0.66	0.86	750	29.5	1,000	2,205	3	D	D	D	D	D	D	D	D	D	D	D	D
			1.14	1.49	1,200	47.2	1,294	2,853	5	D	D	D	D	D	D	D	D	D	D	D	D
1.32	1.73		1,350	53.1	1,381	3,045	5	D	D	D	D	D	D	D	D	D	D	D	D		
1.51	1.98		1,500	59.1	1,477	3,256	5	D	D	D	D	D	C	D	D	D	D	D	D		

### Maximum material density

	kg/m <sup>3</sup>	lb/yd <sup>3</sup>	
A	1,200 ~ 1,300	2,000 ~ 2,200	Coal, Caliche, Shale
B	1,400 ~ 1,600	2,300 ~ 2,700	Wet earth and clay, Limestone, Sandstone
C	1,700 ~ 1,800	2,800 ~ 3,100	Granite, Wet sand, Well blasted rock
D	> 1,900 ~	> 3,200 ~	Wet mud, Iron ore



**LIFTING CAPACITY - ECR355EL**

At the arm end without bucket.

For Lifting capacity including bucket, simply subtract actual weight of the direct fit bucket or the bucket with quick fit from the following values.

Notes: 1. Machine in "Fine Mode-F" (Power Boost) for lifting capacities. 2. The above loads are in compliance with SAE J1097 and ISO 10567 Hydraulic Excavator Lifting Capacity Standards. 3. Rated loads do not exceed 87% of hydraulic lifting capacity or 75% of tipping load. 4. Rated loads marked with an asterisk (\*) are limited by hydraulic capacity rather than tipping load.

	Lifting point	1.5m, 5ft		3 m, 10 ft		4.5m, 15 ft		6.0m, 20 ft		7.5 m, 25 ft		9.0 m, 30 ft		Max. reach		
		Along UC	Across UC	Along UC	Across UC	Along UC	Across UC	Along UC	Across UC	Along UC	Across UC	Along UC	Across UC	Along UC	Across UC	Max.
Boom : 6.2 m, 20'4" Arm : 2.55 m, 8'4" Shoe : 600 mm, 2' L/Frame: LC	7.5 m kg							*8,446	*8,446					*8,509	7,951	6.34 m
	25 ft lb							*18,620	*18,620					*18,760	17,530	20.8 ft
	6.0 m kg					*9,507	*9,507	*8,596	8,432					*8,333	6,060	7.44 m
	20 ft lb					*20,960	*20,960	*18,950	18,590					*18,370	13,360	24.4 ft
	4.5 m kg					*11,775	*11,775	*9,548	8,128	*8,518	5,738			7,920	5,180	8.11 m
	15 ft lb					*25,960	*25,960	*21,050	17,920	*18,780	12,650			17,460	11,420	26.6 ft
	3.0 m kg					*14,637	11,812	*10,827	7,747	8,587	5,570			7,307	4,749	8.45 m
	10 ft lb					*32,270	26,040	*23,870	17,080	18,930	12,280			16,110	10,470	27.7 ft
	1.5 m kg					*16,592	11,172	11,793	7,412	8,405	5,402			7,130	4,609	8.51 m
	5 ft lb					*36,580	24,630	26,000	16,340	18,530	11,910			15,720	10,160	27.9 ft
	0.0 m kg					*17,014	10,941	11,567	7,208	8,283	5,293			7,339	4,717	8.29 m
	0 ft lb					*37,510	24,120	25,500	15,890	18,260	11,670			16,180	10,400	27.2 ft
	-1.5 m kg			*12,646	*12,646	*16,357	10,941	11,503	7,153	8,264	5,280			8,060	5,157	7.76 m
	-5 ft lb			*27,880	*27,880	*36,060	24,120	25,360	15,770	18,220	11,640			17,770	11,370	25.5 ft
	-3.0 m kg			*19,355	*19,355	*14,656	11,090	*11,095	7,248					*9,457	6,192	6.86 m
-10 ft lb			*42,670	*42,670	*32,310	24,450	*24,460	15,980					*20,850	13,650	22.5 ft	
-4.5 m kg					*11,127	*11,127							*9,158	8,999	5.39 m	
-15 ft lb					*24,530	*24,530							*20,190	19,840	17.7 ft	
Boom : 6.2 m, 20'4" Arm : 3.05 m, 10' Shoe : 600 mm, 2' L/Frame: LC	9.0 m kg													*6,963	*6,963	5.44 m
	30 ft lb													*15,350	*15,350	17.8 ft
	7.5 m kg							*7,607	*7,607					*6,124	*6,124	7.04 m
	25 ft lb							*16,770	*16,770					*13,500	*13,500	23.1 ft
	6.0 m kg							*7,929	*7,929	*7,684	5,919			*5,824	5,389	8.04 m
	20 ft lb							*17,480	*17,480	*16,940	13,050			*12,840	11,880	26.4 ft
	4.5 m kg			*15,091	*15,091	*10,741	*10,741	*8,940	8,237	*8,042	5,801			*5,797	4,690	8.66 m
	15 ft lb			*33,270	*33,270	*23,680	*23,680	*19,710	18,160	*17,730	12,790			*12,780	10,340	28.4 ft
	3.0 m kg			*13,658	12,052	*10,301	7,834	8,632	5,611					*5,978	4,332	8.98 m
	10 ft lb			*30,110	26,570	*22,710	17,270	19,030	12,370					*13,180	9,550	29.5 ft
	1.5 m kg					*15,994	11,304	*11,562	7,457	8,419	5,416			*6,382	4,209	9.04 m
	5 ft lb					*35,260	24,920	*25,490	16,440	18,560	11,940			*14,070	9,280	29.7 ft
	0.0 m kg					*16,933	10,950	11,571	7,212	8,264	5,275			6,677	4,296	8.83 m
	0 ft lb					*37,330	24,140	25,510	15,900	18,220	11,630			14,720	9,470	29.0 ft
	-1.5 m kg			*11,576	*11,576	*16,679	10,868	11,453	7,108	8,201	5,216			7,230	4,636	8.34 m
-5 ft lb			*25,520	*25,520	*36,770	23,960	25,250	15,670	18,080	11,500			15,940	10,220	27.3 ft	
-3.0 m kg			*19,201	*19,201	*15,377	10,963	11,499	7,149					8,473	5,402	7.50 m	
-10 ft lb			*42,330	*42,330	*33,900	24,170	25,350	15,760					18,680	11,910	24.6 ft	
-4.5 m kg			*16,905	*16,905	*12,583	11,249	*9,017	7,394					*8,759	7,244	6.19 m	
-15 ft lb			*37,270	*37,270	*27,740	24,800	*19,880	16,300					*19,310	15,970	20.3 ft	
Boom : 6.2 m, 20'4" Arm : 3.7 m, 12'2" Shoe : 600 mm, 2' L/Frame: LC	9.0 m kg							*6,210	*6,210					*5,325	*5,325	6.41 m
	30 ft lb							*13,690	*13,690					*11,740	*11,740	21.0 ft
	7.5 m kg									*5,493	*5,493			*4,790	*4,790	7.81 m
	25 ft lb									*12,110	*12,110			*10,560	*10,560	25.6 ft
	6.0 m kg							*7,013	*7,013	*6,904	6,019			*4,581	*4,581	8.72 m
	20 ft lb							*15,460	*15,460	*15,220	13,270			*10,100	*10,100	28.6 ft
	4.5 m kg					*9,308	*9,308	*8,069	*8,069	*7,389	5,865			*4,554	4,187	9.30 m
	15 ft lb					*20,520	*20,520	*17,790	*17,790	*16,290	12,930	*11,810	9,520	*10,040	9,230	30.5 ft
	3.0 m kg					*12,270	*12,270	*9,512	7,933	*8,128	5,643	6,505	4,223	*4,677	3,892	9.60 m
	10 ft lb					*27,050	*27,050	*20,970	17,490	*17,920	12,440	14,340	9,310	*10,310	8,580	31.5 ft
	1.5 m kg					*14,987	11,467	*10,936	7,507	8,428	5,416	6,382	4,114	*4,953	3,783	9.65 m
	5 ft lb					*33,040	25,280	*24,110	16,550	18,580	11,940	14,070	9,070	*10,920	8,340	31.7 ft
	0.0 m kg			*6,854	*6,854	*16,511	10,945	11,562	7,194	8,228	5,234	6,291	4,023	*5,439	3,837	9.45 m
	0 ft lb			*15,110	*15,110	*36,400	24,130	25,490	15,860	18,140	11,540	13,870	8,870	*11,990	8,460	31.0 ft
	-1.5 m kg	*6,700	*6,700	*10,886	*10,886	*16,797	10,750	11,376	7,026	8,119	5,135			*6,241	4,087	9.00 m
-5 ft lb	*14,770	*14,770	*24,000	*24,000	*37,030	23,700	25,080	15,490	17,900	11,320			*13,760	9,010	29.5 ft	
-3.0 m kg	*11,272	*11,272	*16,429	*16,429	*16,007	10,768	11,353	7,003	8,124	5,139			7,298	4,649	8.23 m	
-10 ft lb	*24,850	*24,850	*36,220	*36,220	*35,290	23,740	25,030	15,440	17,910	11,330			16,090	10,250	27.0 ft	
-4.5 m kg			*19,405	*19,405	*13,948	10,972	*10,378	7,144					*8,333	5,865	7.06 m	
-15 ft lb			*42,780	*42,780	*30,750	24,190	*22,880	15,750					*18,370	12,930	23.2 ft	

# Specifications

## LIFTING CAPACITY - ECR355EL

At the arm end without bucket.

For Lifting capacity including bucket, simply subtract actual weight of the direct fit bucket or the bucket with quick fit from the following values.

Notes: 1. Machine in "Fine Mode-F" (Power Boost) for lifting capacities. 2. The above loads are in compliance with SAE J1097 and ISO 10567 Hydraulic Excavator Lifting Capacity Standards. 3. Rated loads do not exceed 87% of hydraulic lifting capacity or 75% of tipping load. 4. Rated loads marked with an asterisk (\*) are limited by hydraulic capacity rather than tipping load.

	Lifting point	1.5m, 5ft		3 m, 10 ft		4.5 m, 15 ft		6.0 m, 20 ft		7.5 m, 25 ft		9.0 m, 30 ft		Max. reach			
		Along UC	Across UC	Along UC	Across UC	Along UC	Across UC	Along UC	Across UC	Along UC	Across UC	Along UC	Across UC	Along UC	Across UC	Max.	
<b>Boom :</b> 6.2 m, 20'4" <b>Arm :</b> 2.55 m, 8'4" <b>Shoe :</b> 600 mm, 2' <b>L/Frame:</b> LC <b>Dozer blade down</b>	7.5 m	kg						*8,446	*8,446					*8,509	*8,509	6.34 m	
	25 ft	lb						*18,620	*18,620					*18,760	*18,760	20.8 ft	
	6.0 m	kg				*9,507	*9,507	*8,596	*8,596					*8,333	6,563	7.44 m	
	20 ft	lb				*20,960	*20,960	*18,950	*18,950					*18,370	14,470	24.4 ft	
	4.5 m	kg				*11,775	*11,775	*9,548	8,772	*8,518	6,223			*8,369	5,629	8.11 m	
	15 ft	lb				*25,960	*25,960	*21,050	19,340	*18,780	13,720			*18,450	12,410	26.6 ft	
	3.0 m	kg				*14,637	12,769	*10,827	8,391	*9,063	6,060			*8,514	5,180	8.45 m	
	10 ft	lb				*32,270	28,150	*23,870	18,500	*19,980	13,360			*18,770	11,420	27.7 ft	
	1.5 m	kg				*16,592	12,134	*11,939	8,056	*9,607	5,888			*8,736	5,030	8.51 m	
	5 ft	lb				*36,580	26,750	*26,320	17,760	*21,180	12,980			*19,260	11,090	27.9 ft	
	0.0 m	kg				*17,014	11,902	*12,496	7,856	*9,875	5,779			*8,999	5,157	8.29 m	
	0 ft	lb				*37,510	26,240	*27,550	17,320	*21,770	12,740			*19,840	11,370	27.2 ft	
	-1.5 m	kg			*12,646	*12,646	*16,357	11,898	*12,315	7,797	*9,521	5,765			*9,276	5,634	7.76 m
	-5 ft	lb			*27,880	*27,880	*36,060	26,230	*27,150	17,190	*20,990	12,710			*20,450	12,420	25.5 ft
	-3.0 m	kg			*19,355	*19,355	*14,656	12,052	*11,095	7,893					*9,457	6,745	6.86 m
	-10 ft	lb			*42,670	*42,670	*32,310	26,570	*24,460	17,400					*20,850	14,870	22.5 ft
	-4.5 m	kg					*11,127	*11,127							*9,158	*9,158	5.39 m
	-15 ft	lb					*24,530	*24,530							*20,190	*20,190	17.7 ft
<b>Boom :</b> 6.2 m, 20'4" <b>Arm :</b> 3.05 m, 10' <b>Shoe :</b> 600 mm, 2' <b>L/Frame:</b> LC <b>Dozer blade down</b>	9.0 m	kg												*6,963	*6,963	5.44 m	
	30 ft	lb												*15,350	*15,350	17.8 ft	
	7.5 m	kg						*7,607	*7,607					*6,124	*6,124	7.04 m	
	25 ft	lb						*16,770	*16,770					*13,500	*13,500	23.1 ft	
	6.0 m	kg						*7,929	*7,929	*7,684	6,405			*5,824	*5,824	8.04 m	
	20 ft	lb						*17,480	*17,480	*16,940	14,120			*12,840	*12,840	26.4 ft	
	4.5 m	kg			*15,091	*15,091	*10,741	*10,741	*8,940	8,881	*8,042	6,287			*5,797	5,103	8.66 m
	15 ft	lb			*33,270	*33,270	*23,680	*23,680	*19,710	19,580	*17,730	13,860			*12,780	11,250	28.4 ft
	3.0 m	kg					*13,658	13,009	*10,301	8,478	*8,686	6,096			*5,978	4,731	8.98 m
	10 ft	lb					*30,110	28,680	*22,710	18,690	*19,150	13,440			*13,180	10,430	29.5 ft
	1.5 m	kg					*15,994	12,265	*11,562	8,106	*9,344	5,901			*6,382	4,604	9.04 m
	5 ft	lb					*35,260	27,040	*25,490	17,870	*20,600	13,010			*14,070	10,150	29.7 ft
	0.0 m	kg					*16,933	11,907	*12,333	7,856	*9,766	5,761			*7,094	4,699	8.83 m
	0 ft	lb					*37,330	26,250	*27,190	17,320	*21,530	12,700			*15,640	10,360	29.0 ft
	-1.5 m	kg			*11,576	*11,576	*16,679	11,825	*12,410	7,752	*9,702	5,702			*8,323	5,067	8.34 m
	-5 ft	lb			*25,520	*25,520	*36,770	26,070	*27,360	17,090	*21,390	12,570			*18,350	11,170	27.3 ft
	-3.0 m	kg			*19,201	*19,201	*15,377	11,925	*11,594	7,793					*8,827	5,901	7.50 m
	-10 ft	lb			*42,330	*42,330	*33,900	26,290	*25,560	17,180					*19,460	13,010	24.6 ft
-4.5 m	kg			*16,905	*16,905	*12,583	12,211	*9,017	8,038					*8,759	7,874	6.19 m	
-15 ft	lb			*37,270	*37,270	*27,740	26,920	*19,880	17,720					*19,310	17,360	20.3 ft	
<b>Boom :</b> 6.2 m, 20'4" <b>Arm :</b> 3.7 m, 12'2" <b>Shoe :</b> 600 mm, 2' <b>L/Frame:</b> LC <b>Dozer blade down</b>	9.0 m	kg						*6,210	*6,210					*5,325	*5,325	6.41 m	
	30 ft	lb						*13,690	*13,690					*11,740	*11,740	21.0 ft	
	7.5 m	kg								*5,493	*5,493			*4,790	*4,790	7.81 m	
	25 ft	lb								*12,110	*12,110			*10,560	*10,560	25.6 ft	
	6.0 m	kg						*7,013	*7,013	*6,904	6,505			*4,581	*4,581	8.72 m	
	20 ft	lb						*15,460	*15,460	*15,220	14,340			*10,100	*10,100	28.6 ft	
	4.5 m	kg				*9,308	*9,308	*8,069	*8,069	*7,389	6,350	*5,357	4,708	*4,554	*4,554	9.30 m	
	15 ft	lb				*20,520	*20,520	*17,790	*17,790	*16,290	14,000	*11,810	10,380	*10,040	*10,040	30.5 ft	
	3.0 m	kg				*12,270	*12,270	*9,512	8,577	*8,128	6,128	*6,895	4,613	*4,677	4,259	9.60 m	
	10 ft	lb				*27,050	*27,050	*20,970	18,910	*17,920	13,510	*15,200	10,170	*10,310	9,390	31.5 ft	
	1.5 m	kg				*14,987	12,428	*10,936	8,151	*8,904	5,901	*7,729	4,504	*4,953	4,146	9.65 m	
	5 ft	lb				*33,040	27,400	*24,110	17,970	*19,630	13,010	*17,040	9,930	*10,920	9,140	31.7 ft	
	0.0 m	kg			*6,854	*6,854	*16,511	11,907	*11,961	7,838	*9,498	5,720	*7,797	4,413	*5,439	4,209	9.45 m
	0 ft	lb			*15,110	*15,110	*36,400	26,250	*26,370	17,280	*20,940	12,610	*17,190	9,730	*11,990	9,280	31.0 ft
	-1.5 m	kg	*6,700	*6,700	*10,886	*10,886	*16,797	11,712	*12,351	7,670	*9,698	5,620			*6,241	4,486	9.00 m
	-5 ft	lb	*14,770	*14,770	*24,000	*24,000	*37,030	25,820	*27,230	16,910	*21,380	12,390			*13,760	9,890	29.5 ft
	-3.0 m	kg	*11,272	*11,272	*16,429	*16,429	*16,007	11,730	*11,957	7,648	*9,222	5,625			*7,697	5,089	8.23 m
	-10 ft	lb	*24,850	*24,850	*36,220	*36,220	*35,290	25,860	*26,360	16,860	*20,330	12,400			*16,970	11,220	27.0 ft
-4.5 m	kg			*19,405	*19,405	*13,948	11,929	*10,378	7,788					*8,333	6,400	7.06 m	
-15 ft	lb			*42,780	*42,780	*30,750	26,300	*22,880	17,170					*18,370	14,110	23.2 ft	



**LIFTING CAPACITY - ECR355EL**

At the arm end without bucket.

For Lifting capacity including bucket, simply subtract actual weight of the direct fit bucket or the bucket with quick fit from the following values.

Notes: 1. Machine in "Fine Mode-F" (Power Boost) for lifting capacities. 2. The above loads are in compliance with SAE J1097 and ISO 10567 Hydraulic Excavator Lifting Capacity Standards. 3. Rated loads do not exceed 87% of hydraulic lifting capacity or 75% of tipping load. 4. Rated loads marked with an asterisk (\*) are limited by hydraulic capacity rather than tipping load.

	Lifting point	1.5m, 5ft		3 m, 10 ft		4.5 m, 15 ft		6.0 m, 20 ft		7.5 m, 25 ft		9.0 m, 30 ft		Max. reach			
		Along UC	Across UC	Along UC	Across UC	Along UC	Across UC	Along UC	Across UC	Along UC	Across UC	Along UC	Across UC	Along UC	Across UC	Max.	
<b>Boom :</b> 6.2 m, 20'4" 2-piece boom <b>Arm :</b> 2.55 m, 8'4" <b>Shoe :</b> 600 mm, 2' <b>L/Frame:</b> LC	9.0 m	kg				*10,637	*10,637							*10,460	*10,460	4.61 m	
	30 ft	lb				*23,450	*23,450							*23,060	*23,060	15.1 ft	
	7.5 m	kg				*11,567	*11,567	*10,478	8,541					*8,972	7,779	6.42 m	
	25 ft	lb				*25,500	*25,500	*23,100	18,830					*19,780	17,150	21.1 ft	
	6.0 m	kg				*12,487	*12,487	*10,673	8,450					*8,496	5,938	7.51 m	
	20 ft	lb				*27,530	*27,530	*23,530	18,630					*18,730	13,090	24.6 ft	
	4.5 m	kg				*14,542	12,755	*11,340	8,124	8,800	5,711			7,829	5,071	8.17 m	
	15 ft	lb				*32,060	28,120	*25,000	17,910	19,400	12,590			17,260	11,180	26.8 ft	
	3.0 m	kg				*16,393	11,753	*12,102	7,707	8,600	5,529			7,221	4,645	8.52 m	
	10 ft	lb				*36,140	25,910	*26,680	16,990	18,960	12,190			15,920	10,240	27.9 ft	
	1.5 m	kg				*16,887	11,063	11,798	7,344	8,405	5,348			7,049	4,504	8.57 m	
	5 ft	lb				*37,230	24,390	26,010	16,190	18,530	11,790			15,540	9,930	28.1 ft	
	0.0 m	kg				*15,767	10,823	11,558	7,130	8,274	5,230			7,257	4,618	8.35 m	
	0 ft	lb				*34,760	23,860	25,480	15,720	18,240	11,530			16,000	10,180	27.4 ft	
	-1.5 m	kg			*11,662	*11,662	*13,553	10,836	*10,709	7,076	*7,924	5,225			*7,439	5,053	7.83 m
	-5 ft	lb			*25,710	*25,710	*29,880	23,890	*23,610	15,600	*17,470	11,520			*16,400	11,140	25.7 ft
-3.0 m	kg					*10,133	*10,133	*7,992	7,194					*6,228	6,069	6.93 m	
-10 ft	lb					*22,340	*22,340	*17,620	15,860					*13,730	13,380	22.7 ft	
<b>Boom :</b> 6.2 m, 20'4" 2-piece boom <b>Arm :</b> 3.05 m, 10' <b>Shoe :</b> 600 mm, 2' <b>L/Frame:</b> LC	9.0 m	kg				*9,217	*9,217							*7,153	*7,153	5.54 m	
	30 ft	lb				*20,320	*20,320							*15,770	*15,770	18.2 ft	
	7.5 m	kg						*8,777	8,727					*6,237	*6,237	7.12 m	
	25 ft	lb						*19,350	19,240					*13,750	*13,750	23.3 ft	
	6.0 m	kg					*9,185	*9,185	*9,598	8,591	*8,110	5,910			*5,892	5,275	8.11 m
	20 ft	lb					*20,250	*20,250	*21,160	18,940	*17,880	13,030			*12,990	11,630	26.6 ft
	4.5 m	kg			*19,999	*19,999	*13,748	13,045	*10,904	8,246	8,881	5,779			*5,820	4,590	8.73 m
	15 ft	lb			*44,090	*44,090	*30,310	28,760	*24,040	18,180	19,580	12,740			*12,830	10,120	28.6 ft
	3.0 m	kg					*15,808	12,020	*11,789	7,802	8,655	5,575			*5,956	4,241	9.05 m
	10 ft	lb					*34,850	26,500	*25,990	17,200	19,080	12,290			*13,130	9,350	29.7 ft
	1.5 m	kg					*16,865	11,204	11,866	7,398	8,423	5,366			*6,305	4,119	9.10 m
	5 ft	lb					*37,180	24,700	26,160	16,310	18,570	11,830			*13,900	9,080	29.9 ft
	0.0 m	kg					*16,329	10,827	11,567	7,130	8,260	5,212			6,604	4,200	8.89 m
	0 ft	lb					*36,000	23,870	25,500	15,720	18,210	11,490			14,560	9,260	29.2 ft
	-1.5 m	kg			*10,768	*10,768	*14,529	10,755	*11,222	7,026	8,201	5,157			*7,035	4,540	8.40 m
	-5 ft	lb			*23,740	*23,740	*32,030	23,710	*24,740	15,490	18,080	11,370			*15,510	10,010	27.6 ft
-3.0 m	kg					*11,521	10,877	*9,036	7,085					*6,101	5,298	7.58 m	
-10 ft	lb					*25,400	23,980	*19,920	15,620					*13,450	11,680	24.9 ft	
<b>Boom :</b> 6.2 m, 20'4" 2-piece boom <b>Arm :</b> 3.7 m, 12'2" <b>Shoe :</b> 600 mm, 2' <b>L/Frame:</b> LC	9.0 m	kg						*6,600	*6,600					*5,457	*5,457	6.52 m	
	30 ft	lb						*14,550	*14,550					*12,030	*12,030	21.4 ft	
	7.5 m	kg						*7,212	*7,212	*5,883	*5,883			*4,876	*4,876	7.89 m	
	25 ft	lb						*15,900	*15,900	*12,970	*12,970			*10,750	*10,750	25.9 ft	
	6.0 m	kg						*7,511	*7,511	*7,262	6,028			*4,631	*4,631	8.80 m	
	20 ft	lb						*16,560	*16,560	*16,010	13,290			*10,210	*10,210	28.9 ft	
	4.5 m	kg					*9,045	*9,045	*8,977	8,401	*8,360	5,856	*5,738	4,286	*4,577	4,091	9.37 m
	15 ft	lb					*19,940	*19,940	*19,790	18,520	*18,430	12,910	*12,650	9,450	*10,090	9,020	30.7 ft
	3.0 m	kg					*14,846	12,356	*11,254	7,924	8,714	5,620	6,514	4,187	*4,667	3,801	9.67 m
	10 ft	lb					*32,730	27,240	*24,810	17,470	19,210	12,390	14,360	9,230	*10,290	8,380	31.7 ft
	1.5 m	kg					*16,461	11,390	11,948	7,457	8,441	5,371	6,387	4,069	*4,908	3,692	9.72 m
	5 ft	lb					*36,290	25,110	26,340	16,440	18,610	11,840	14,080	8,970	*10,820	8,140	31.9 ft
	0.0 m	kg			*6,096	*6,096	*16,633	10,832	11,567	7,117	8,228	5,175	6,287	3,978	*5,334	3,751	9.53 m
	0 ft	lb			*13,440	*13,440	*36,670	23,880	25,500	15,690	18,140	11,410	13,860	8,770	*11,760	8,270	31.3 ft
	-1.5 m	kg			*10,165	*10,165	*15,431	10,632	11,367	6,945	8,115	5,071			*6,051	4,001	9.07 m
	-5 ft	lb			*22,410	*22,410	*34,020	23,440	25,060	15,310	17,890	11,180			*13,340	8,820	29.8 ft
-3.0 m	kg			*15,780	*15,780	*12,995	10,669	*10,024	6,931	*7,439	5,085			*5,996	4,554	8.31 m	
-10 ft	lb			*34,790	*34,790	*28,650	23,520	*22,100	15,280	*16,400	11,210			*13,220	10,040	27.6 ft	
-4.5 m	kg					*9,045	*9,045	*6,845	*6,845							7.16 m	
-15 ft	lb					*19,940	*19,940	*15,090	*15,090							23.5 ft	

# Specifications

## LIFTING CAPACITY - ECR355EL

At the arm end without bucket.

For lifting capacity including bucket, simply subtract actual weight of the direct fit bucket or the bucket with quick fit from the following values.

Notes: 1. Machine in "Fine Mode-F" (Power Boost) for lifting capacities. 2. The above loads are in compliance with SAE J1097 and ISO 10567 Hydraulic Excavator Lifting Capacity Standards. 3. Rated loads do not exceed 87% of hydraulic lifting capacity or 75% of tipping load. 4. Rated loads marked with an asterisk (\*) are limited by hydraulic capacity rather than tipping load.

	Lifting point	1.5m, 5ft		3 m, 10 ft		4.5 m, 15 ft		6.0 m, 20 ft		7.5 m, 25 ft		9.0 m, 30 ft		Max. reach		
		Along UC	Across UC	Along UC	Across UC	Along UC	Across UC	Along UC	Across UC	Along UC	Across UC	Along UC	Across UC	Along UC	Across UC	Max.
Boom : 6.2 m, 20'4" 2-piece boom Arm : 2.55 m, 8'4" Shoe : 600 mm, 2' L/Frame: LC Dozer blade down	9.0 m kg					*10,637	*10,637							*10,460	*10,460	4.61 m
	30 ft lb					*23,450	*23,450							*23,060	*23,060	15.1 ft
	7.5 m kg					*11,567	*11,567	*10,478	9,185					*8,972	8,378	6.42 m
	25 ft lb					*25,500	*25,500	*23,100	20,250					*19,780	18,470	21.1 ft
	6.0 m kg					*12,487	*12,487	*10,673	9,095					*8,496	6,432	7.51 m
	20 ft lb					*27,530	*27,530	*23,530	20,050					*18,730	14,180	24.6 ft
	4.5 m kg					*14,542	13,717	*11,340	8,768	*9,544	6,196			*8,469	5,516	8.17 m
	15 ft lb					*32,060	30,240	*25,000	19,330	*21,040	13,660			*18,670	12,160	26.8 ft
	3.0 m kg					*16,393	12,710	*12,102	8,351	*9,770	6,015			*8,732	5,071	8.52 m
	10 ft lb					*36,140	28,020	*26,680	18,410	*21,540	13,260			*19,250	11,180	27.9 ft
	1.5 m kg					*16,887	12,020	*12,469	7,988	*9,802	5,833			*8,432	4,926	8.57 m
	5 ft lb					*37,230	26,500	*27,940	17,610	*21,610	12,860			*18,590	10,860	28.1 ft
	0.0 m kg					*15,767	11,784	*12,070	7,775	*9,335	5,715			*8,056	5,053	8.35 m
	0 ft lb					*34,760	25,980	*26,610	17,140	*20,580	12,600			*17,760	11,140	27.4 ft
	-1.5 m kg			*11,662	*11,662	*13,553	11,793	*10,709	7,720	*7,924	5,711			*7,439	5,520	7.83 m
	-5 ft lb			*25,710	*25,710	*29,880	26,000	*23,610	17,020	*17,470	12,590			*16,400	12,170	25.7 ft
-3.0 m kg					*10,133	*10,133	*7,992	7,838					*6,228	*6,228	6.93 m	
-10 ft lb					*22,340	*22,340	*17,620	17,280					*13,730	*13,730	22.7 ft	
Boom : 6.2 m, 20'4" 2-piece boom Arm : 3.05 m, 10' Shoe : 600 mm, 2'6" L/Frame: LC Dozer blade down	9.0 m kg					*9,217	*9,217							*7,153	*7,153	5.54 m
	30 ft lb					*20,320	*20,320							*15,770	*15,770	18.2 ft
	7.5 m kg							*8,777	*8,777					*6,237	*6,237	7.12 m
	25 ft lb							*19,350	*19,350					*13,750	*13,750	23.3 ft
	6.0 m kg					*9,185	*9,185	*9,598	9,235	*8,110	6,396			*5,892	5,724	8.11 m
	20 ft lb					*20,250	*20,250	*21,160	20,360	*17,880	14,100			*12,990	12,620	26.6 ft
	4.5 m kg			*19,999	*19,999	*13,748	*13,748	*10,904	8,890	*9,253	6,264			*5,820	4,999	8.73 m
	15 ft lb			*44,090	*44,090	*30,310	*30,310	*24,040	19,600	*20,400	13,810			*12,830	11,020	28.6 ft
	3.0 m kg					*15,808	12,977	*11,789	8,446	*9,589	6,060			*5,956	4,631	9.05 m
	10 ft lb					*34,850	28,610	*25,990	18,620	*21,140	13,360			*13,130	10,210	29.7 ft
	1.5 m kg					*16,865	12,165	*12,360	8,042	*9,770	5,851			*6,305	4,509	9.10 m
	5 ft lb					*37,180	26,820	*27,250	17,730	*21,540	12,900			*13,900	9,940	29.9 ft
	0.0 m kg					*16,329	11,789	*12,242	7,775	*9,530	5,697			*6,931	4,604	8.89 m
	0 ft lb					*36,000	25,990	*26,990	17,140	*21,010	12,560			*15,280	10,150	29.2 ft
	-1.5 m kg			*10,768	*10,768	*14,529	11,712	*11,222	7,670	*8,559	5,643			*7,035	4,971	8.40 m
	-5 ft lb			*23,740	*23,740	*32,030	25,820	*24,740	16,910	*18,870	12,440			*15,510	10,960	27.6 ft
-3.0 m kg					*11,521	*11,521	*9,036	7,729					*6,101	5,788	7.58 m	
-10 ft lb					*25,400	*25,400	*19,920	17,040					*13,450	12,760	24.9 ft	
Boom : 6.2 m, 20'4" 2-piece boom Arm : 3.7 m, 12'2" Shoe : 600 mm, 2' L/Frame: LC Dozer blade down	9.0 m kg					*6,600	*6,600							*5,457	*5,457	6.52 m
	30 ft lb					*14,550	*14,550							*12,030	*12,030	21.4 ft
	7.5 m kg							*7,212	*7,212	*5,883	*5,883			*4,876	*4,876	7.89 m
	25 ft lb							*15,900	*15,900	*12,970	*12,970			*10,750	*10,750	25.9 ft
	6.0 m kg							*7,511	*7,511	*7,262	6,514			*4,631	*4,631	8.80 m
	20 ft lb							*16,560	*16,560	*16,010	14,360			*10,210	*10,210	28.9 ft
	4.5 m kg					*9,045	*9,045	*8,977	*8,977	*8,360	6,341	*5,738	4,677	*4,577	4,472	9.37 m
	15 ft lb					*19,940	*19,940	*19,790	*19,790	*18,430	13,980	*12,650	10,310	*10,090	9,860	30.7 ft
	3.0 m kg					*14,846	13,317	*11,254	8,568	*9,253	6,105	*7,167	4,577	*4,667	4,169	9.67 m
	10 ft lb					*32,730	29,360	*24,810	18,890	*20,400	13,460	*15,800	10,090	*10,290	9,190	31.7 ft
	1.5 m kg					*16,461	12,351	*12,066	8,101	*9,603	5,856	*7,906	4,459	*4,908	4,055	9.72 m
	5 ft lb					*36,290	27,230	*26,600	17,860	*21,170	12,910	*17,430	9,830	*10,820	8,940	31.9 ft
	0.0 m kg			*6,096	*6,096	*16,633	11,793	*12,274	7,766	*9,603	5,661	*7,593	4,364	*5,334	4,119	9.53 m
	0 ft lb			*13,440	*13,440	*36,670	26,000	*27,060	17,120	*21,170	12,480	*16,740	9,620	*11,760	9,080	31.3 ft
	-1.5 m kg			*10,165	*10,165	*15,431	11,589	*11,657	7,589	*9,013	5,557			*6,051	4,391	9.07 m
	-5 ft lb			*22,410	*22,410	*34,020	25,550	*25,700	16,730	*19,870	12,250			*13,340	9,680	29.8 ft
-3.0 m kg					*15,780	*15,780	*12,995	11,626	*10,024	7,575	*7,439	5,570	*5,996	4,990	8.31 m	
-10 ft lb					*34,790	*34,790	*28,650	25,630	*22,100	16,700	*16,400	12,280	*13,220	11,000	27.3 ft	
-4.5 m kg					*9,045	*9,045	*6,845	*6,845							7.16 m	
-15 ft lb					*19,940	*19,940	*15,090	*15,090							23.5 ft	



**LIFTING CAPACITY - ECR355EL**

At the arm end without bucket.

For Lifting capacity including bucket, simply subtract actual weight of the direct fit bucket or the bucket with quick fit from the following values.

Notes: 1. Machine in "Fine Mode-F" (Power Boost) for lifting capacities. 2. The above loads are in compliance with SAE J1097 and ISO 10567 Hydraulic Excavator Lifting Capacity Standards. 3. Rated loads do not exceed 87% of hydraulic lifting capacity or 75% of tipping load. 4. Rated loads marked with an asterisk (\*) are limited by hydraulic capacity rather than tipping load.

	Lifting point		1.5m, 5 ft		3 m, 10 ft		4.5 m, 15 ft		6.0 m, 20 ft		7.5 m, 25 ft		9.0 m, 30 ft		Max. reach		
			Along UC	Across UC	Along UC	Across UC	Along UC	Across UC	Along UC	Across UC	Along UC	Across UC	Along UC	Across UC	Along UC	Across UC	Max.
			Boom : 6.2 m, 20'4" Arm : 2.55 m, 8'4" Shoe : 700 mm, 2'3" L/Frame: LC	7.5 m	kg							*8,446	*8,446				
25 ft	lb								*18,620	*18,620					*18,760	17,840	20.8 ft
6.0 m	kg						*9,507	*9,507	*8,596	8,577					*8,333	6,178	7.44 m
20 ft	lb						*20,960	*20,960	*18,950	18,910					*18,370	13,620	24.4 ft
4.5 m	kg						*11,775	*11,775	*9,548	8,278	*8,518	5,851			8,078	5,284	8.11 m
15 ft	lb						*25,960	*25,960	*21,050	18,250	*18,780	12,900			17,810	11,650	26.6 ft
3.0 m	kg						*14,637	12,034	*10,827	7,897	8,759	5,684			7,457	4,849	8.45 m
10 ft	lb						*32,270	26,530	*23,870	17,410	19,310	12,530			16,440	10,690	27.7 ft
1.5 m	kg						*16,592	11,394	*11,939	7,561	8,577	5,516			7,280	4,704	8.51 m
5 ft	lb						*36,580	25,120	*26,320	16,670	18,910	12,160			16,050	10,370	27.9 ft
0.0 m	kg						*17,014	11,163	11,802	7,357	8,455	5,407			7,493	4,822	8.29 m
0 ft	lb						*37,510	24,610	26,200	16,220	18,640	11,920			16,520	10,630	27.2 ft
-1.5 m	kg				*12,646	*12,646	*16,357	11,163	11,739	7,303	8,437	5,393			8,228	5,266	7.76 m
-5 ft	lb				*27,880	*27,880	*36,060	24,610	25,880	16,100	18,600	11,890			18,140	11,610	25.5 ft
-3.0 m	kg				*19,355	*19,355	*14,656	11,313	*11,095	7,394					*9,457	6,319	6.86 m
-10 ft	lb			*42,670	*42,670	*32,310	24,940	*24,460	16,300					*20,850	13,930	22.5 ft	
-4.5 m	kg					*11,127	*11,127							*9,158	*9,158	5.39 m	
-15 ft	lb					*24,530	*24,530							*20,190	*20,190	17.7 ft	
Boom : 6.2 m, 20'4" Arm : 3.05 m, 10' Shoe : 700 mm, 2'3" L/Frame: LC	9.0 m	kg													*6,963	*6,963	5.44 m
	30 ft	lb													*15,350	*15,350	17.8 ft
	7.5 m	kg							*7,607	*7,607					*6,124	*6,124	7.04 m
	25 ft	lb							*16,770	*16,770					*13,500	*13,500	23.1 ft
	6.0 m	kg							*7,929	*7,929	*7,684	6,033			*5,824	5,493	8.04 m
	20 ft	lb							*17,480	*17,480	*16,940	13,300			*12,840	12,110	26.4 ft
	4.5 m	kg			*15,091	*15,091	*10,741	*10,741	*8,940	8,387	*8,042	5,915			*5,797	4,785	8.66 m
	15 ft	lb			*33,270	*33,270	*23,680	*23,680	*19,710	18,490	*17,730	13,040			*12,780	10,550	28.4 ft
	3.0 m	kg					*13,658	12,274	*10,301	7,983	*8,686	5,720			*5,978	4,427	8.98 m
	10 ft	lb					*30,110	27,060	*22,710	17,600	*19,150	12,610			*13,180	9,760	29.5 ft
	1.5 m	kg					*15,994	11,526	*11,562	7,607	8,591	5,529			*6,382	4,300	9.04 m
	5 ft	lb					*35,260	25,410	*25,490	16,770	18,940	12,190			*14,070	9,480	29.7 ft
	0.0 m	kg					*16,933	11,172	11,807	7,357	8,437	5,384			6,818	4,386	8.83 m
	0 ft	lb					*37,330	24,630	26,030	16,220	18,600	11,870			15,030	9,670	29.0 ft
	-1.5 m	kg			*11,576	*11,576	*16,679	11,090	11,694	7,257	8,378	5,330			7,384	4,736	8.34 m
-5 ft	lb			*25,520	*25,520	*36,770	24,450	25,780	16,000	18,470	11,750			16,280	10,440	27.3 ft	
-3.0 m	kg			*19,201	*19,201	*15,377	11,186	*11,594	7,294					8,650	5,520	7.50 m	
-10 ft	lb			*42,330	*42,330	*33,900	24,660	*25,560	16,080					19,070	12,170	24.6 ft	
-4.5 m	kg			*16,905	*16,905	*12,583	11,471	*9,017	7,539					*8,759	7,389	6.19 m	
-15 ft	lb			*37,270	*37,270	*27,740	25,290	*19,880	16,620					*19,310	16,290	20.3 ft	
Boom : 6.2 m, 20'4" Arm : 3.7 m, 12'2" Shoe : 700 mm, 2'3" L/Frame: LC	9.0 m	kg							*6,210	*6,210					*5,325	*5,325	6.41 m
	30 ft	lb							*13,690	*13,690					*11,740	*11,740	21.0 ft
	7.5 m	kg									*5,493	*5,493			*4,790	*4,790	7.81 m
	25 ft	lb									*12,110	*12,110			*10,560	*10,560	25.6 ft
	6.0 m	kg							*7,013	*7,013	*6,904	6,133			*4,581	*4,581	8.72 m
	20 ft	lb							*15,460	*15,460	*15,220	13,520			*10,100	*10,100	28.6 ft
	4.5 m	kg					*9,308	*9,308	*8,069	*8,069	*7,389	5,974	*5,357	4,409	*4,554	4,277	9.30 m
	15 ft	lb					*20,520	*20,520	*17,790	*17,790	*16,290	13,170	*11,810	9,720	*10,040	9,430	30.5 ft
	3.0 m	kg					*12,270	*12,270	*9,512	8,083	*8,128	5,756	6,641	4,314	*4,677	3,978	9.60 m
	10 ft	lb					*27,050	*27,050	*20,970	17,820	*17,920	12,690	14,640	9,510	*10,310	8,770	31.5 ft
	1.5 m	kg					*14,987	11,689	*10,936	7,657	8,605	5,529	6,523	4,205	*4,953	3,865	9.65 m
	5 ft	lb					*33,040	25,770	*24,110	16,880	18,970	12,190	14,380	9,270	*10,920	8,520	31.7 ft
	0.0 m	kg			*6,854	*6,854	*16,511	11,167	11,802	7,339	8,405	5,348	6,427	4,114	*5,439	3,924	9.45 m
	0 ft	lb			*15,110	*15,110	*36,400	24,620	26,020	16,180	18,530	11,790	14,170	9,070	*11,990	8,650	31.0 ft
	-1.5 m	kg	*6,700	*6,700	*10,886	*10,886	*16,797	10,972	11,612	7,176	8,292	5,244			*6,241	4,182	9.00 m
-5 ft	lb	*14,770	*14,770	*24,000	*24,000	*37,030	24,190	25,600	15,820	18,280	11,560			*13,760	9,220	29.5 ft	
-3.0 m	kg	*11,272	*11,272	*16,429	*16,429	*16,007	10,991	11,589	7,153	8,296	5,248			7,457	4,749	8.23 m	
-10 ft	lb	*24,850	*24,850	*36,220	*36,220	*35,290	24,230	25,550	15,770	18,290	11,570			16,440	10,470	27.0 ft	
-4.5 m	kg			*19,405	*19,405	*13,948	11,195	*10,378	7,294					*8,333	5,987	7.06 m	
-15 ft	lb			*42,780	*42,780	*30,750	24,680	*22,880	16,080					*18,370	13,200	23.2 ft	

# Specifications

## LIFTING CAPACITY - ECR355EL

At the arm end without bucket.

For Lifting capacity including bucket, simply subtract actual weight of the direct fit bucket or the bucket with quick fit from the following values.

Notes: 1. Machine in "Fine Mode-F" (Power Boost) for lifting capacities. 2. The above loads are in compliance with SAE J1097 and ISO 10567 Hydraulic Excavator Lifting Capacity Standards. 3. Rated loads do not exceed 87% of hydraulic lifting capacity or 75% of tipping load. 4. Rated loads marked with an asterisk (\*) are limited by hydraulic capacity rather than tipping load.

	Lifting point	1.5m, 5 ft		3 m, 10 ft		4.5 m, 15 ft		6.0 m, 20 ft		7.5 m, 25 ft		9.0 m, 30 ft		Max. reach		
		Along UC	Across UC	Along UC	Across UC	Along UC	Across UC	Along UC	Across UC	Along UC	Across UC	Along UC	Across UC	Along UC	Across UC	Max.
Boom : 6.2 m, 20'4" Arm : 2.55 m, 8'4" Shoe : 700 mm, 2'3" L/Frame: LC Dozer blade down	7.5 m	kg						*8,446	*8,446					*8,509	*8,509	6.34 m
	25 ft	lb						*18,620	*18,620					*18,760	*18,760	20.8 ft
	6.0 m	kg				*9,507	*9,507	*8,596	*8,596					*8,333	6,677	7.44 m
	20 ft	lb				*20,960	*20,960	*18,950	*18,950					*18,370	14,720	24.4 ft
	4.5 m	kg				*11,775	*11,775	*9,548	8,922	*8,518	6,337			*8,369	5,733	8.11 m
	15 ft	lb				*25,960	*25,960	*21,050	19,670	*18,780	13,970			*18,450	12,640	26.6 ft
	3.0 m	kg				*14,637	12,995	*10,827	8,541	*9,063	6,169			*8,514	5,275	8.45 m
	10 ft	lb				*32,270	28,650	*23,870	18,830	*19,980	13,600			*18,770	11,630	27.7 ft
	1.5 m	kg				*16,592	12,356	*11,939	8,205	*9,607	6,001			*8,736	5,130	8.51 m
	5 ft	lb				*36,580	27,240	*26,320	18,090	*21,180	13,230			*19,260	11,310	27.9 ft
	0.0 m	kg				*17,014	12,129	*12,496	8,006	*9,875	5,892			*8,999	5,257	8.29 m
	0 ft	lb				*37,510	26,740	*27,550	17,650	*21,770	12,990			*19,840	11,590	27.2 ft
	-1.5 m	kg		*12,646	*12,646	*16,357	12,125	*12,315	7,947	*9,521	5,879			*9,276	5,742	7.76 m
	-5 ft	lb		*27,880	*27,880	*36,060	26,730	*27,150	17,520	*20,990	12,960			*20,450	12,660	25.5 ft
	-3.0 m	kg		*19,355	*19,355	*14,656	12,274	*11,095	8,042					*9,457	6,876	6.86 m
	-10 ft	lb		*42,670	*42,670	*32,310	27,060	*24,460	17,730					*20,850	15,160	22.5 ft
	-4.5 m	kg				*11,127	*11,127							*9,158	*9,158	5.39 m
	-15 ft	lb				*24,530	*24,530							*20,190	*20,190	17.7 ft
Boom : 6.2 m, 20'4" Arm : 3.05 m, 10' Shoe : 700 mm, 2'3" L/Frame: LC Dozer blade down	9.0 m	kg												*6,963	*6,963	5.44 m
	30 ft	lb												*15,350	*15,350	17.8 ft
	7.5 m	kg						*7,607	*7,607					*6,124	*6,124	7.04 m
	25 ft	lb						*16,770	*16,770					*13,500	*13,500	23.1 ft
	6.0 m	kg						*7,929	*7,929	*7,684	6,518			*5,824	*5,824	8.04 m
	20 ft	lb						*17,480	*17,480	*16,940	14,370			*12,840	*12,840	26.4 ft
	4.5 m	kg		*15,091	*15,091	*10,741	*10,741	*8,940	*8,940	*8,042	6,400			*5,797	5,203	8.66 m
	15 ft	lb		*33,270	*33,270	*23,680	*23,680	*19,710	*19,710	*17,730	14,110			*12,780	11,470	28.4 ft
	3.0 m	kg		*13,658		13,236		*10,301	8,627	*8,686	6,210			*5,978	4,822	8.98 m
	10 ft	lb				*30,110	29,180	*22,710	19,020	*19,150	13,690			*13,180	10,630	29.5 ft
	1.5 m	kg				*15,994	12,487	*11,562	8,255	*9,344	6,015			*6,382	4,695	9.04 m
	5 ft	lb				*35,260	27,530	*25,490	18,200	*20,600	13,260			*14,070	10,350	29.7 ft
	0.0 m	kg				*16,933	12,134	*12,333	8,006	*9,766	5,874			*7,094	4,794	8.83 m
	0 ft	lb				*37,330	26,750	*27,190	17,650	*21,530	12,950			*15,640	10,570	29.0 ft
	-1.5 m	kg		*11,576	*11,576	*16,679	12,052	*12,410	7,902	*9,702	5,815			*8,323	5,171	8.34 m
	-5 ft	lb		*25,520	*25,520	*36,770	26,570	*27,360	17,420	*21,390	12,820			*18,350	11,400	27.3 ft
	-3.0 m	kg		*19,201	*19,201	*15,377	12,147	*11,594	7,942					*8,827	6,015	7.50 m
	-10 ft	lb		*42,330	*42,330	*33,900	26,780	*25,560	17,510					*19,460	13,260	24.6 ft
-4.5 m	kg		*16,905	*16,905	*12,583	12,433	*9,017	8,187					*8,759	8,024	6.19 m	
-15 ft	lb		*37,270	*37,270	*27,740	27,410	*19,880	18,050					*19,310	17,690	20.3 ft	
Boom : 6.2 m, 20'4" Arm : 3.7 m, 12'2" Shoe : 700 mm, 2'3" L/Frame: LC Dozer blade down	9.0 m	kg						*6,210	*6,210					*5,325	*5,325	6.41 m
	30 ft	lb						*13,690	*13,690					*11,740	*11,740	21.0 ft
	7.5 m	kg								*5,493	*5,493			*4,790	*4,790	7.81 m
	25 ft	lb								*12,110	*12,110			*10,560	*10,560	25.6 ft
	6.0 m	kg						*7,013	*7,013	*6,904	6,618			*4,581	*4,581	8.72 m
	20 ft	lb						*15,460	*15,460	*15,220	14,590			*10,100	*10,100	28.6 ft
	4.5 m	kg				*9,308	*9,308	*8,069	*8,069	*7,389	6,464	*5,357	4,799	*4,554	*4,554	9.30 m
	15 ft	lb				*20,520	*20,520	*17,790	*17,790	*16,290	14,250	*11,810	10,580	*10,040	*10,040	30.5 ft
	3.0 m	kg				*12,270	*12,270	*9,512	8,727	*8,128	6,241	*6,895	4,704	*4,677	4,345	9.60 m
	10 ft	lb				*27,050	*27,050	*20,970	19,240	*17,920	13,760	*15,200	10,370	*10,310	9,580	31.5 ft
	1.5 m	kg				*14,987	12,651	*10,936	8,301	*8,904	6,015	*7,729	4,595	*4,953	4,232	9.65 m
	5 ft	lb				*33,040	27,890	*24,110	18,300	*19,630	13,260	*17,040	10,130	*10,920	9,330	31.7 ft
	0.0 m	kg		*6,854	*6,854	*16,511	12,129	*11,961	7,988	*9,498	5,833	*7,797	4,504	*5,439	4,296	9.45 m
	0 ft	lb		*15,110	*15,110	*36,400	26,740	*26,370	17,610	*20,940	12,860	*17,190	9,930	*11,990	9,470	31.0 ft
	-1.5 m	kg	*6,700	*6,700	*10,886	*10,886	*16,797	11,934	*12,351	7,820	*9,698	5,729		*6,241	4,577	9.00 m
	-5 ft	lb	*14,770	*14,770	*24,000	*24,000	*37,030	26,310	*27,230	17,240	*21,380	12,630		*13,760	10,090	29.5 ft
	-3.0 m	kg	*11,272	*11,272	*16,429	*16,429	*16,007	11,952	*11,957	7,797	*9,222	5,738		*7,697	5,194	8.23 m
	-10 ft	lb	*24,850	*24,850	*36,220	*36,220	*35,290	26,350	*26,360	17,190	*20,330	12,650		*16,970	11,450	27.0 ft
-4.5 m	kg		*19,405	*19,405	*13,948	12,156	*10,378	7,938					*8,333	6,523	7.06 m	
-15 ft	lb		*42,780	*42,780	*30,750	26,800	*22,880	17,500					*18,370	14,380	23.2 ft	



**LIFTING CAPACITY - ECR355EL**

At the arm end without bucket.

For Lifting capacity including bucket, simply subtract actual weight of the direct fit bucket or the bucket with quick fit from the following values.

Notes: 1. Machine in "Fine Mode-F" (Power Boost) for lifting capacities. 2. The above loads are in compliance with SAE J1097 and ISO 10567 Hydraulic Excavator Lifting Capacity Standards. 3. Rated loads do not exceed 87% of hydraulic lifting capacity or 75% of tipping load. 4. Rated loads marked with an asterisk (\*) are limited by hydraulic capacity rather than tipping load.

	Lifting point	1.5m, 5 ft		3 m, 10 ft		4.5 m, 15 ft		6.0 m, 20 ft		7.5 m, 25 ft		9.0 m, 30 ft		Max. reach			
		Along UC		Across UC		Along UC		Across UC		Along UC		Across UC		Along UC	Across UC	Max.	
Boom : 6.2 m, 20'4" 2-piece boom Arm : 2.55 m, 8'4" Shoe : 700 mm, 2'3" L/Frame: LC	9.0 m	kg					*10,637	*10,637							*10,460	*10,460	4.61 m
	30 ft	lb					*23,450	*23,450							*23,060	*23,060	15.1 ft
	7.5 m	kg					*11,567	*11,567	*10,478	8,686					*8,972	7,915	6.42 m
	25 ft	lb					*25,500	*25,500	*23,100	19,150					*19,780	17,450	21.1 ft
	6.0 m	kg					*12,487	*12,487	*10,673	8,600					*8,496	6,051	7.51 m
	20 ft	lb					*27,530	*27,530	*23,530	18,960					*18,730	13,340	24.6 ft
	4.5 m	kg					*14,542	12,977	*11,340	8,274	8,972	5,820			7,983	5,175	8.17 m
	15 ft	lb					*32,060	28,610	*25,000	18,240	19,780	12,830			17,600	11,410	26.8 ft
	3.0 m	kg					*16,393	11,975	*12,102	7,852	8,772	5,638			7,371	4,745	8.52 m
	10 ft	lb					*36,140	26,400	*26,680	17,310	19,340	12,430			16,250	10,460	27.9 ft
	1.5 m	kg					*16,887	11,285	12,038	7,493	8,577	5,461			7,194	4,604	8.57 m
	5 ft	lb					*37,230	24,880	26,540	16,520	18,910	12,040			15,860	10,150	28.1 ft
	0.0 m	kg					*15,767	11,045	11,798	7,276	8,450	5,343			7,412	4,717	8.35 m
	0 ft	lb					*34,760	24,350	26,010	16,040	18,630	11,780			16,340	10,400	27.4 ft
	-1.5 m	kg			*11,662	*11,662	*13,553	11,059	*10,709	7,226	*7,924	5,339			*7,439	5,162	7.83 m
	-5 ft	lb			*25,710	*25,710	*29,880	24,380	*23,610	15,930	*17,470	11,770			*16,400	11,380	25.7 ft
	-3.0 m	kg					*10,133	*10,133	*7,992	7,339					*6,228	6,192	6.93 m
	-10 ft	lb					*22,340	*22,340	*17,620	16,180					*13,730	13,650	22.7 ft
Boom : 6.2 m, 20'4" 2-piece boom Arm : 3.05 m, 10' Shoe : 700 mm, 2'3" L/Frame: LC	9.0 m	kg					*9,217	*9,217							*7,153	*7,153	5.54 m
	30 ft	lb					*20,320	*20,320							*15,770	*15,770	18.2 ft
	7.5 m	kg							*8,777	*8,777					*6,237	*6,237	7.12 m
	25 ft	lb							*19,350	*19,350					*13,750	*13,750	23.3 ft
	6.0 m	kg					*9,185	*9,185	*9,598	8,741	*8,110	6,024			*5,892	5,380	8.11 m
	20 ft	lb					*20,250	*20,250	*21,160	19,270	*17,880	13,280			*12,990	11,860	26.6 ft
	4.5 m	kg			*19,999	*19,999	*13,748	13,268	*10,904	8,396	9,054	5,892			*5,820	4,686	8.73 m
	15 ft	lb			*44,090	*44,090	*30,310	29,250	*24,040	18,510	19,960	12,990			*12,830	10,330	28.6 ft
	3.0 m	kg					*15,808	12,242	*11,789	7,951	8,827	5,684			*5,956	4,332	9.05 m
	10 ft	lb					*34,850	26,990	*25,990	17,530	19,460	12,530			*13,130	9,550	29.7 ft
	1.5 m	kg					*16,865	11,426	12,106	7,548	8,600	5,475			*6,305	4,209	9.10 m
	5 ft	lb					*37,180	25,190	26,690	16,640	18,960	12,070			*13,900	9,280	29.9 ft
	0.0 m	kg					*16,329	11,050	11,802	7,280	8,432	5,325			6,745	4,296	8.89 m
	0 ft	lb					*36,000	24,360	26,020	16,050	18,590	11,740			14,870	9,470	29.2 ft
	-1.5 m	kg			*10,768	*10,768	*14,529	10,977	*11,222	7,176	8,373	5,271			*7,035	4,640	8.40 m
	-5 ft	lb			*23,740	*23,740	*32,030	24,200	*24,740	15,820	18,460	11,620			*15,510	10,230	27.6 ft
	-3.0 m	kg					*11,521	11,099	*9,036	7,230					*6,101	5,411	7.58 m
	-10 ft	lb					*25,400	24,470	*19,920	15,940					*13,450	11,930	24.9 ft
Boom : 6.2 m, 20'4" 2-piece boom Arm : 3.7 m, 12'2" Shoe : 700 mm, 2'3" L/Frame: LC	9.0 m	kg							*6,600	*6,600					*5,457	*5,457	6.52 m
	30 ft	lb							*14,550	*14,550					*12,030	*12,030	21.4 ft
	7.5 m	kg							*7,212	*7,212	*5,883	*5,883			*4,876	*4,876	7.89 m
	25 ft	lb							*15,900	*15,900	*12,970	*12,970			*10,750	*10,750	25.9 ft
	6.0 m	kg							*7,511	*7,511	*7,262	6,137			*4,631	*4,631	8.80 m
	20 ft	lb							*16,560	*16,560	*16,010	13,530			*10,210	*10,210	28.9 ft
	4.5 m	kg					*9,045	*9,045	*8,977	8,550	*8,360	5,969	*5,738	4,377	*4,577	4,178	9.37 m
	15 ft	lb					*19,940	*19,940	*19,790	18,850	*18,430	13,160	*12,650	9,650	*10,090	9,210	30.7 ft
	3.0 m	kg					*14,846	12,578	*11,254	8,074	8,886	5,729	6,650	4,277	*4,667	3,887	9.67 m
	10 ft	lb					*32,730	27,730	*24,810	17,800	19,590	12,630	14,660	9,430	*10,290	8,570	31.7 ft
	1.5 m	kg					*16,461	11,612	*12,066	7,607	8,614	5,484	6,523	4,159	*4,908	3,778	9.72 m
	5 ft	lb					*36,290	25,600	*26,600	16,770	18,990	12,090	14,380	9,170	*10,820	8,330	31.9 ft
	0.0 m	kg			*6,096	*6,096	*16,633	11,054	11,802	7,267	8,401	5,289	6,423	4,064	*5,334	3,833	9.53 m
	0 ft	lb			*13,440	*13,440	*36,670	24,370	26,020	16,020	18,520	11,660	14,160	8,960	*11,760	8,450	31.3 ft
	-1.5 m	kg			*10,165	*10,165	*15,431	10,854	11,607	7,094	8,287	5,185			*6,051	4,091	9.07 m
	-5 ft	lb			*22,410	*22,410	*34,020	23,930	25,590	15,640	18,270	11,430			*13,340	9,020	29.8 ft
	-3.0 m	kg			*15,780	*15,780	*12,995	10,886	*10,024	7,081	*7,439	5,198			*5,996	4,654	8.31 m
	-10 ft	lb			*34,790	*34,790	*28,650	24,000	*22,100	15,610	*16,400	11,460			*13,220	10,260	27.3 ft
-4.5 m	kg					*9,045	*9,045	*6,845								7.16 m	
-15 ft	lb					*19,940	*19,940	*15,090	*15,090								23.5 ft

# Specifications

## LIFTING CAPACITY - ECR355EL

At the arm end without bucket.

For lifting capacity including bucket, simply subtract actual weight of the direct fit bucket or the bucket with quick fit from the following values.

Notes: 1. Machine in "Fine Mode-F" (Power Boost) for lifting capacities. 2. The above loads are in compliance with SAE J1097 and ISO 10567 Hydraulic Excavator Lifting Capacity Standards. 3. Rated loads do not exceed 87% of hydraulic lifting capacity or 75% of tipping load. 4. Rated loads marked with an asterisk (\*) are limited by hydraulic capacity rather than tipping load.

	Lifting point	1.5m, 5 ft		3 m, 10 ft		4.5 m, 15 ft		6.0 m, 20 ft		7.5 m, 25 ft		9.0 m, 30 ft		Max. reach		
		Along UC	Across UC	Along UC	Across UC	Along UC	Across UC	Along UC	Across UC	Along UC	Across UC	Along UC	Across UC	Along UC	Across UC	Max.
Boom : 6.2 m, 20'4" 2-piece boom Arm : 2.55 m, 8'4" Shoe : 700 mm, 2'3" L/Frame: LC Dozer blade down	9.0 m kg					*10,637	*10,637							*10,460	*10,460	4.61 m
	30 ft lb					*23,450	*23,450							*23,060	*23,060	15.1 ft
	7.5 m kg					*11,567	*11,567	*10,478	9,335					*8,972	8,518	6.42 m
	25 ft lb					*25,500	*25,500	*23,100	20,580					*19,780	18,780	21.1 ft
	6.0 m kg					*12,487	*12,487	*10,673	9,244					*8,496	6,545	7.51 m
	20 ft lb					*27,530	*27,530	*23,530	20,380					*18,730	14,430	24.6 ft
	4.5 m kg					*14,542	13,939	*11,340	8,918	*9,544	6,309			*8,469	5,620	8.17 m
	15 ft lb					*32,060	30,730	*25,000	19,660	*21,040	13,910			*18,670	12,390	26.8 ft
	3.0 m kg					*16,393	12,932	*12,102	8,500	*9,770	6,128			*8,732	5,171	8.52 m
	10 ft lb					*36,140	28,510	*26,680	18,740	*21,540	13,510			*19,250	11,400	27.9 ft
	1.5 m kg					*16,887	12,247	*12,469	8,137	*9,802	5,947			*8,432	5,026	8.57 m
	5 ft lb					*37,230	27,000	*27,490	17,940	*21,610	13,110			*18,590	11,080	28.1 ft
	0.0 m kg					*15,767	12,007	*12,070	7,924	*9,335	5,829			*8,056	5,153	8.35 m
	0 ft lb					*34,760	26,470	*26,610	17,470	*20,580	12,850			*17,760	11,360	27.4 ft
	-1.5 m kg			*11,662	*11,662	*13,553	12,020	*10,709	7,870	*7,924	5,824			*7,439	5,629	7.83 m
	-5 ft lb			*25,710	*25,710	*29,880	26,500	*23,610	17,350	*17,470	12,840			*16,400	12,410	25.7 ft
-3.0 m kg					*10,133	*10,133	*7,992	7,988					*6,228	*6,228	6.93 m	
-10 ft lb					*22,340	*22,340	*17,620	17,610					*13,730	*13,730	22.7 ft	
Boom : 6.2 m, 20'4" 2-piece boom Arm : 3.05 m, 10' Shoe : 700 mm, 2'6" L/Frame: LC Dozer blade down	9.0 m kg					*9,217	*9,217							*7,153	*7,153	5.54 m
	30 ft lb					*20,320	*20,320							*15,770	*15,770	18.2 ft
	7.5 m kg							*8,777	*8,777					*6,237	*6,237	7.12 m
	25 ft lb							*19,350	*19,350					*13,750	*13,750	23.3 ft
	6.0 m kg					*9,185	*9,185	*9,598	9,385	*8,110	6,509			*5,892	5,833	8.11 m
	20 ft lb					*20,250	*20,250	*21,160	20,690	*17,880	14,350			*12,990	12,860	26.6 ft
	4.5 m kg			*19,999	*19,999	*13,748	*13,748	*10,904	9,040	*9,253	6,378			*5,820	5,098	8.73 m
	15 ft lb			*44,090	*44,090	*30,310	*30,310	*24,040	19,930	*20,400	14,060			*12,830	11,240	28.6 ft
	3.0 m kg					*15,808	13,204	*11,789	8,600	*9,589	6,169			*5,956	4,726	9.05 m
	10 ft lb					*34,850	29,110	*25,990	18,960	*21,140	13,600			*13,130	10,420	29.7 ft
	1.5 m kg					*16,865	12,388	*12,360	8,192	*9,770	5,960			*6,305	4,599	9.10 m
	5 ft lb					*37,180	27,310	*27,250	18,060	*21,540	13,140			*13,900	10,140	29.9 ft
	0.0 m kg					*16,329	12,011	*12,242	7,924	*9,530	5,811			*6,931	4,699	8.89 m
	0 ft lb					*36,000	26,480	*26,990	17,470	*21,010	12,810			*15,280	10,360	29.2 ft
	-1.5 m kg			*10,768	*10,768	*14,529	11,939	*11,222	7,824	*8,559	5,756			*7,035	5,071	8.40 m
	-5 ft lb			*23,740	*23,740	*32,030	26,320	*24,740	17,250	*18,870	12,690			*15,510	11,180	27.6 ft
-3.0 m kg					*11,521	*11,521	*9,036	7,879					*6,101	5,901	7.58 m	
-10 ft lb					*25,400	*25,400	*19,920	17,370					*13,450	13,010	24.9 ft	
Boom : 6.2 m, 20'4" 2-piece boom Arm : 3.7 m, 12'2" Shoe : 700 mm, 2'3" L/Frame: LC Dozer blade down	9.0 m kg							*6,600	*6,600					*5,457	*5,457	6.52 m
	30 ft lb							*14,550	*14,550					*12,030	*12,030	21.4 ft
	7.5 m kg							*7,212	*7,212	*5,883	*5,883			*4,876	*4,876	7.89 m
	25 ft lb							*15,900	*15,900	*12,970	*12,970			*10,750	*10,750	25.9 ft
	6.0 m kg							*7,511	*7,511	*7,262	6,622			*4,631	*4,631	8.80 m
	20 ft lb							*16,560	*16,560	*16,010	14,600			*10,210	*10,210	28.9 ft
	4.5 m kg					*9,045	*9,045	*8,977	*8,977	*8,360	6,455	*5,738	4,767	*4,577	4,559	9.37 m
	15 ft lb					*19,940	*19,940	*19,790	*19,790	*18,430	14,230	*12,650	10,510	*10,090	10,050	30.7 ft
	3.0 m kg					*14,846	13,540	*11,254	8,718	*9,253	6,214	*7,167	4,667	*4,667	4,250	9.67 m
	10 ft lb					*32,730	29,850	*24,810	19,220	*20,400	13,700	*15,800	10,290	*10,290	9,370	31.7 ft
	1.5 m kg					*16,461	12,574	*12,066	8,255	*9,603	5,969	*7,906	4,550	*4,908	4,141	9.72 m
	5 ft lb					*36,290	27,720	*26,600	18,200	*21,170	13,160	*17,430	10,030	*10,820	9,130	31.9 ft
	0.0 m kg			*6,096	*6,096	*16,633	12,016	*12,274	7,915	*9,603	5,774	*7,593	4,454	*5,334	4,205	9.53 m
	0 ft lb			*13,440	*13,440	*36,670	26,490	*27,060	17,450	*21,170	12,730	*16,740	9,820	*11,760	9,270	31.3 ft
	-1.5 m kg			*10,165	*10,165	*15,431	11,816	*11,657	7,738	*9,013	5,670			*6,051	4,486	9.07 m
	-5 ft lb			*22,410	*22,410	*34,020	26,050	*25,700	17,060	*19,870	12,500			*13,340	9,890	29.8 ft
-3.0 m kg					*15,780	*15,780	*12,995	11,852	*10,024	7,729	*7,439	5,684		*5,996	5,089	8.31 m
-10 ft lb					*34,790	*34,790	*28,650	26,130	*22,100	17,040	*16,400	12,530		*13,220	11,220	27.3 ft
-4.5 m kg							*9,045	*9,045	*6,845							7.16 m
-15 ft lb							*19,940	*19,940	*15,090	*15,090						23.5 ft

**LIFTING CAPACITY - ECR355EL**

At the arm end without bucket.

For Lifting capacity including bucket, simply subtract actual weight of the direct fit bucket or the bucket with quick fit from the following values.

Notes: 1. Machine in "Fine Mode-F" (Power Boost) for lifting capacities. 2. The above loads are in compliance with SAE J1097 and ISO 10567 Hydraulic Excavator Lifting Capacity Standards. 3. Rated loads do not exceed 87% of hydraulic lifting capacity or 75% of tipping load. 4. Rated loads marked with an asterisk (\*) are limited by hydraulic capacity rather than tipping load.

	Lifting point	1.5m, 5 ft		3 m, 10 ft		4.5 m, 15 ft		6.0 m, 20 ft		7.5 m, 25 ft		9.0 m, 30 ft		Max. reach				
		Along UC	Across UC	Along UC	Across UC	Along UC	Across UC	Along UC	Across UC	Along UC	Across UC	Along UC	Across UC	Along UC	Across UC	Max.		
Boom : 6.2 m, 20'4" Arm : 2.55 m, 8'4" Shoe : 800 mm, 2'6" L/Frame: LC	7.5 m kg							*8,446	*8,446					*8,509	8,183	6.34 m		
	25 ft lb							*18,620	*18,620					*18,760	18,040	20.8 ft		
	6.0 m kg					*9,507	*9,507	*8,596	*8,596					*8,333	6,251	7.44 m		
	20 ft lb					*20,960	*20,960	*18,950	*18,950					*18,370	13,780	24.4 ft		
	4.5 m kg					*11,775	*11,775	*9,548	8,373	*8,518	5,924			8,178	5,348	8.11 m		
	15 ft lb					*25,960	*25,960	*21,050	18,460	*18,780	13,060			18,030	11,790	26.6 ft		
	3.0 m kg					*14,637	12,170	*10,827	7,988	8,868	5,756			7,552	4,912	8.45 m		
	10 ft lb					*32,270	26,830	*23,870	17,610	19,550	12,690			16,650	10,830	27.7 ft		
	1.5 m kg					*16,592	11,535	*11,939	7,652	8,682	5,584			7,371	4,767	8.51 m		
	5 ft lb					*36,580	25,430	*26,320	16,870	19,140	12,310			16,250	10,510	27.9 ft		
	0.0 m kg					*17,014	11,304	11,952	7,453	8,559	5,475			7,593	4,885	8.29 m		
	0 ft lb					*37,510	24,920	26,350	16,430	18,870	12,070			16,740	10,770	27.2 ft		
	-1.5 m kg			*12,646	*12,646	*16,357	11,299	*16,889	7,394	8,546	5,461			8,333	5,334	7.76 m		
	-5 ft lb			*27,880	*27,880	*36,060	24,910	26,210	16,300	18,840	12,040			18,370	11,760	25.5 ft		
	-3.0 m kg			*19,355	*19,355	*14,656	11,453	*11,095	7,489					*9,457	6,400	6.86 m		
	-10 ft lb			*42,670	*42,670	*32,310	25,250	*24,460	16,510					*20,850	14,110	22.5 ft		
-4.5 m kg					*11,127	*11,127							*9,158	*9,158	5.39 m			
-15 ft lb					*24,530	*24,530							*20,190	*20,190	17.7 ft			
Boom : 6.2 m, 20'4" Arm : 3.05 m, 10' Shoe : 800 mm, 2'6" L/Frame: LC	9.0 m kg													*6,963	*6,963	5.44 m		
	30 ft lb													*15,350	*15,350	17.8 ft		
	7.5 m kg							*7,607	*7,607					*6,124	*6,124	7.04 m		
	25 ft lb							*16,770	*16,770					*13,500	*13,500	23.1 ft		
	6.0 m kg							*7,929	*7,929	*7,684	6,101			*5,824	5,557	8.04 m		
	20 ft lb							*17,480	*17,480	*16,940	13,450			*12,840	12,250	26.4 ft		
	4.5 m kg			*15,091	*15,091	*10,741	*10,741	*8,940	8,478	*8,042	5,983			*5,797	4,844	8.66 m		
	15 ft lb			*33,270	*33,270	*23,680	*23,680	*19,710	18,690	*17,730	13,190			*12,780	10,680	28.4 ft		
	3.0 m kg					*13,658	12,410	*10,301	8,074	*8,686	5,792			*5,978	4,481	8.98 m		
	10 ft lb					*30,110	27,360	*22,710	17,800	*19,150	12,770			*13,180	9,880	29.5 ft		
	1.5 m kg					*15,994	11,662	*11,562	7,702	8,700	5,597			*6,382	4,359	9.04 m		
	5 ft lb					*35,260	25,710	*25,490	16,980	19,180	12,340			*14,070	9,610	29.7 ft		
	0.0 m kg					*16,933	11,308	11,957	7,453	8,546	5,457			6,908	4,445	8.83 m		
	0 ft lb					*37,330	24,930	26,360	16,430	18,840	12,030			15,230	9,800	29.0 ft		
	-1.5 m kg			*11,576	*11,576	*16,679	11,226	11,839	7,348	8,482	5,398			7,480	4,794	8.34 m		
	-5 ft lb			*25,520	*25,520	*36,770	24,750	26,100	16,200	18,700	11,900			16,490	10,570	27.3 ft		
-3.0 m kg			*19,201	*19,201	*15,377	11,322	*11,594	7,389					8,759	5,588	7.50 m			
-10 ft lb			*42,330	*42,330	*33,900	24,960	*25,560	16,290					19,310	12,320	24.6 ft			
-4.5 m kg			*16,905	*16,905	*12,583	11,607	*9,017	7,634					*8,759	7,480	6.19 m			
-15 ft lb			*37,270	*37,270	*27,740	25,590	*19,880	16,830					*19,310	16,490	20.3 ft			
Boom : 6.2 m, 20'4" Arm : 3.7 m, 12'2" Shoe : 800 mm, 2'6" L/Frame: LC	9.0 m kg							*6,210	*6,210					*5,325	*5,325	6.41 m		
	30 ft lb							*13,690	*13,690					*11,740	*11,740	21.0 ft		
	7.5 m kg									*5,493	*5,493			*4,790	*4,790	7.81 m		
	25 ft lb									*12,110	*12,110			*10,560	*10,560	25.6 ft		
	6.0 m kg							*7,013	*7,013	*6,904	6,201			*4,581	*4,581	8.72 m		
	20 ft lb							*15,460	*15,460	*15,220	13,670			*10,100	*10,100	28.6 ft		
	4.5 m kg					*9,308	*9,308	*8,069	*8,069	*7,389	6,046			*4,554	4,332	9.30 m		
	15 ft lb					*20,520	*20,520	*17,790	*17,790	*16,290	13,330			*11,810	9,840	*10,040	9,550	30.5 ft
	3.0 m kg					*12,270	*12,270	*9,512	8,174	*8,128	5,824	6,727	4,368	*4,677	4,032	9.60 m		
	10 ft lb					*27,050	*27,050	*20,970	18,020	*17,920	12,840	14,830	9,630	*10,310	8,890	31.5 ft		
	1.5 m kg					*14,987	11,825	*10,936	7,747	8,709	5,597	6,604	4,259	*4,953	3,919	9.65 m		
	5 ft lb					*33,040	26,070	*24,110	17,080	19,200	12,340	14,560	9,390	*10,920	8,640	31.7 ft		
	0.0 m kg			*6,854	*6,854	*16,511	11,308	11,948	7,434	8,509	5,416	6,509	4,169	*5,439	3,978	9.45 m		
	0 ft lb			*15,110	*15,110	*36,400	24,930	26,340	16,390	18,760	11,940	14,350	9,190	*11,990	8,770	31.0 ft		
	-1.5 m kg	*6,700	*6,700	*10,886	*10,886	*16,797	11,108	11,762	7,267	8,401	5,316			*6,241	4,237	9.00 m		
	-5 ft lb	*14,770	*14,770	*24,000	*24,000	*37,030	24,490	25,930	16,020	18,520	11,720			*13,760	9,340	29.5 ft		
-3.0 m kg	*11,272	*11,272	*16,429	*16,429	*16,007	11,127	11,739	7,244	8,405	5,321			*7,552	4,813	8.23 m			
-10 ft lb	*24,850	*24,850	*36,220	*36,220	*35,290	24,530	25,880	15,970	18,530	11,730			16,650	10,610	27.0 ft			
-4.5 m kg			*19,405	*19,405	*13,948	11,331	*10,378	7,384					*8,333	6,065	7.06 m			
-15 ft lb			*42,780	*42,780	*30,750	24,980	*22,880	16,280					*18,370	13,370	23.2 ft			



# Specifications

## LIFTING CAPACITY - ECR355EL

At the arm end without bucket.

For Lifting capacity including bucket, simply subtract actual weight of the direct fit bucket or the bucket with quick fit from the following values.

Notes: 1. Machine in "Fine Mode-F" (Power Boost) for lifting capacities. 2. The above loads are in compliance with SAE J1097 and ISO 10567 Hydraulic Excavator Lifting Capacity Standards. 3. Rated loads do not exceed 87% of hydraulic lifting capacity or 75% of tipping load. 4. Rated loads marked with an asterisk (\*) are limited by hydraulic capacity rather than tipping load.

	Lifting point	1.5m, 5 ft		3 m, 10 ft		4.5 m, 15 ft		6.0 m, 20 ft		7.5 m, 25 ft		9.0 m, 30 ft		Max. reach		
		Along UC	Across UC	Along UC	Across UC	Along UC	Across UC	Along UC	Across UC	Along UC	Across UC	Along UC	Across UC	Along UC	Across UC	Max.
Boom : 6.2 m, 20'4" Arm : 2.55 m, 8'4" Shoe : 800 mm, 2'6" L/Frame: LC Dozer blade down	7.5 m kg							*8,446	*8,446					*8,509	*8,509	6.34 m
	25 ft lb							*18,620	*18,620					*18,760	*18,760	20.8 ft
	6.0 m kg					*9,507	*9,507	*8,596	*8,596					*8,333	6,749	7.44 m
	20 ft lb					*20,960	*20,960	*18,950	*18,950					*18,370	14,880	24.4 ft
	4.5 m kg					*11,775	*11,775	*9,548	9,017	*8,518	6,409			*8,369	5,801	8.11 m
	15 ft lb					*25,960	*25,960	*21,050	19,880	*18,780	14,130			*18,450	12,790	26.6 ft
	3.0 m kg					*14,637	13,132	*10,827	8,632	*9,063	6,241			*8,514	5,339	8.45 m
	10 ft lb					*32,270	28,950	*23,870	19,030	*19,980	13,760			*18,770	11,770	27.7 ft
	1.5 m kg					*16,592	12,496	*11,939	8,301	*9,607	6,074			*8,736	5,189	8.51 m
	5 ft lb					*36,580	27,550	*26,320	18,300	*21,180	13,390			*19,260	11,440	27.9 ft
	0.0 m kg					*17,014	12,265	*12,496	8,097	*9,875	5,960			*8,999	5,321	8.29 m
	0 ft lb					*37,510	27,040	*27,550	17,850	*21,770	13,140			*19,840	11,730	27.2 ft
	-1.5 m kg			*12,646	*12,646	*16,357	12,261	*12,315	8,042	*9,521	5,947			*9,276	5,811	7.76 m
	-5 ft lb			*27,880	*27,880	*36,060	27,030	*27,150	17,730	*20,990	13,110			*20,450	12,810	25.5 ft
	-3.0 m kg			*19,355	*19,355	*14,656	12,415	*11,095	8,133					*9,457	6,954	6.86 m
	-10 ft lb			*42,670	*42,670	*32,310	27,370	*24,460	17,930					*20,850	15,330	22.5 ft
	-4.5 m kg					*11,127	*11,127							*9,158	*9,158	5.39 m
	-15 ft lb					*24,530	*24,530							*20,190	*20,190	17.7 ft
Boom : 6.2 m, 20'4" Arm : 3.05 m, 10' Shoe : 800 mm, 2'6" L/Frame: LC Dozer blade down	9.0 m kg													*6,963	*6,963	5.44 m
	30 ft lb													*15,350	*15,350	17.8 ft
	7.5 m kg							*7,607	*7,607					*6,124	*6,124	7.04 m
	25 ft lb							*16,770	*16,770					*13,500	*13,500	23.1 ft
	6.0 m kg							*7,929	*7,929	*7,684	6,591			*5,824	*5,824	8.04 m
	20 ft lb							*17,480	*17,480	*16,940	14,530			*12,840	*12,840	26.4 ft
	4.5 m kg			*15,091	*15,091	*10,741	*10,741	*8,940	*8,940	*8,042	6,468			*5,797	5,262	8.66 m
	15 ft lb			*33,270	*33,270	*23,680	*23,680	*19,710	*19,710	*17,730	14,260			*12,780	11,600	28.4 ft
	3.0 m kg					*13,658	13,372	*10,301	8,718	*8,686	6,278			*5,978	4,881	8.98 m
	10 ft lb					*30,110	29,480	*22,710	19,220	*19,150	13,840			*13,180	10,760	29.5 ft
	1.5 m kg					*15,994	12,628	*11,562	8,346	*9,344	6,083			*6,382	4,754	9.04 m
	5 ft lb					*35,260	27,840	*25,490	18,400	*20,600	13,410			*14,070	10,480	29.7 ft
	0.0 m kg					*16,933	12,270	*12,333	8,097	*9,766	5,942			*7,094	4,853	8.83 m
	0 ft lb					*37,330	27,050	*27,190	17,850	*21,530	13,100			*15,640	10,700	29.0 ft
	-1.5 m kg			*11,576	*11,576	*16,679	12,188	*12,410	7,997	*9,702	5,888			*8,323	5,234	8.34 m
	-5 ft lb			*25,520	*25,520	*36,770	26,870	*27,360	17,630	*21,390	12,980			*18,350	11,540	27.3 ft
	-3.0 m kg			*19,201	*19,201	*15,377	12,288	*11,594	8,033					*8,827	6,087	7.50 m
	-10 ft lb			*42,330	*42,330	*33,900	27,090	*25,560	17,710					*19,460	13,420	24.6 ft
-4.5 m kg			*16,905	*16,905	*12,583	12,574	*9,017	8,278					*8,759	8,115	6.19 m	
-15 ft lb			*37,270	*37,270	*27,740	27,720	*19,880	18,250					*19,310	17,890	20.3 ft	
Boom : 6.2 m, 20'4" Arm : 3.7 m, 12'2" Shoe : 800 mm, 2'6" L/Frame: LC Dozer blade down	9.0 m kg							*6,210	*6,210					*5,325	*5,325	6.41 m
	30 ft lb							*13,690	*13,690					*11,740	*11,740	21.0 ft
	7.5 m kg									*5,493	*5,493			*4,790	*4,790	7.81 m
	25 ft lb									*12,110	*12,110			*10,560	*10,560	25.6 ft
	6.0 m kg							*7,013	*7,013	*6,904	6,686			*4,581	*4,581	8.72 m
	20 ft lb							*15,460	*15,460	*15,220	14,740			*10,100	*10,100	28.6 ft
	4.5 m kg					*9,308	*9,308	*8,069	*8,069	*7,389	6,532	*5,357	4,853	*4,554	*4,554	9.30 m
	15 ft lb					*20,520	*20,520	*17,790	*17,790	*16,290	14,400	*11,810	10,700	*10,040	*10,040	30.5 ft
	3.0 m kg					*12,270	*12,270	*9,512	8,822	*8,128	6,309	*6,895	4,763	*4,677	4,400	9.60 m
	10 ft lb					*27,050	*27,050	*20,970	19,450	*17,920	13,910	*15,200	10,500	*10,310	9,700	31.5 ft
	1.5 m kg					*14,987	12,787	*10,936	8,396	*8,904	6,083	*7,729	4,649	*4,953	4,282	9.65 m
	5 ft lb					*33,040	28,190	*24,110	18,510	*19,630	13,410	*17,040	10,250	*10,920	9,440	31.7 ft
	0.0 m kg			*6,854	*6,854	*16,511	12,270	*11,961	8,078	*9,498	5,901	*7,797	4,559	*5,439	4,350	9.45 m
	0 ft lb			*15,110	*15,110	*36,400	27,050	*26,370	17,810	*20,940	13,010	*17,190	10,050	*11,990	9,590	31.0 ft
	-1.5 m kg	*6,700	*6,700	*10,886	*10,886	*16,797	12,075	*12,351	7,915	*9,698	5,801			*6,241	4,636	9.00 m
	-5 ft lb	*14,770	*14,770	*24,000	*24,000	*37,030	26,620	*27,230	17,450	*21,380	12,790			*13,760	10,220	29.5 ft
	-3.0 m kg	*11,272	*11,272	*16,429	*16,429	*16,007	12,093	*11,957	7,893	*9,222	5,806			*7,697	5,257	8.23 m
	-10 ft lb	*24,850	*24,850	*36,220	*36,220	*35,290	26,660	*26,360	17,400	*20,330	12,800			*16,970	11,590	27.0 ft
-4.5 m kg			*19,405	*19,405	*13,948	12,292	*10,378	8,033					*8,333	6,600	7.06 m	
-15 ft lb			*42,780	*42,780	*30,750	27,100	*22,880	17,710					*18,370	14,550	23.2 ft	

**LIFTING CAPACITY - ECR355EL**

At the arm end without bucket.

For Lifting capacity including bucket, simply subtract actual weight of the direct fit bucket or the bucket with quick fit from the following values.

Notes: 1. Machine in "Fine Mode-F" (Power Boost) for lifting capacities. 2. The above loads are in compliance with SAE J1097 and ISO 10567 Hydraulic Excavator Lifting Capacity Standards. 3. Rated loads do not exceed 87% of hydraulic lifting capacity or 75% of tipping load. 4. Rated loads marked with an asterisk (\*) are limited by hydraulic capacity rather than tipping load.

	Lifting point	1.5m, 5 ft		3 m, 10 ft		4.5 m, 15 ft		6.0 m, 20 ft		7.5 m, 25 ft		9.0 m, 30 ft		Max. reach			
		Along UC	Across UC	Along UC	Across UC	Along UC	Across UC	Along UC	Across UC	Along UC	Across UC	Along UC	Across UC	Along UC	Across UC	Max.	
Boom : 6.2 m, 20'4" 2-piece boom Arm : 2.55 m, 8'4" Shoe : 800 mm, 2'6" L/Frame: LC	9.0 m	kg				*10,637	*10,637							*10,460	*10,460	4.61 m	
	30 ft	lb				*23,450	*23,450							*23,060	*23,060	15.1 ft	
	7.5 m	kg				*11,567	*11,567	*10,478	8,782					*8,972	8,001	6.42 m	
	25 ft	lb				*25,500	*25,500	*23,100	19,360					*19,780	17,640	21.1 ft	
	6.0 m	kg				*12,487	*12,487	*10,673	8,691					*8,496	6,124	7.51 m	
	20 ft	lb				*27,530	*27,530	*23,530	19,160					*18,730	13,500	24.6 ft	
	4.5 m	kg				*14,542	13,118	*11,340	8,364	9,081	5,892			8,083	5,239	8.17 m	
	15 ft	lb				*32,060	28,920	*25,000	18,440	20,020	12,990			17,820	11,550	26.8 ft	
	3.0 m	kg				*16,393	12,111	*12,102	7,947	8,881	5,711			7,466	4,804	8.52 m	
	10 ft	lb				*36,140	26,700	*26,680	17,520	19,580	12,590			16,460	10,590	27.9 ft	
	1.5 m	kg				*16,887	11,421	12,184	7,584	8,682	5,529			7,289	4,663	8.57 m	
	5 ft	lb				*37,230	25,180	26,860	16,720	19,140	12,190			16,070	10,280	28.1 ft	
	0.0 m	kg				*15,767	11,181	11,943	7,371	8,555	5,411			7,507	4,781	8.35 m	
	0 ft	lb				*34,760	24,650	26,330	16,250	18,860	11,930			16,550	10,540	27.4 ft	
	-1.5 m	kg			*11,662	*11,662	*13,553	11,195	*10,709	7,316	*7,924	5,407			*7,439	5,225	7.83 m
	-5 ft	lb			*25,710	*25,710	*29,880	24,680	*23,610	16,130	*17,470	11,920			*16,400	11,520	25.7 ft
-3.0 m	kg					*10,133	*10,133	*7,992	7,434					*6,228	*6,228	6.93 m	
-10 ft	lb					*22,340	*22,340	*17,620	16,390					*13,730	*13,730	22.7 ft	
Boom : 6.2 m, 20'4" 2-piece boom Arm : 3.05 m, 10' Shoe : 800 mm, 2'6" L/Frame: LC	9.0 m	kg				*9,217	*9,217							*7,153	*7,153	5.54 m	
	30 ft	lb				*20,320	*20,320							*15,770	*15,770	18.2 ft	
	7.5 m	kg						*8,777	*8,777					*6,237	*6,237	7.12 m	
	25 ft	lb						*19,350	*19,350					*13,750	*13,750	23.3 ft	
	6.0 m	kg					*9,185	*9,185	*9,598	8,831	*8,110	6,092		*5,892	5,443	8.11 m	
	20 ft	lb					*20,250	*20,250	*21,160	19,470	*17,880	13,430		*12,990	12,000	26.6 ft	
	4.5 m	kg			*19,999	*19,999	*13,748	13,404	*10,904	8,487	9,163	5,965		*5,820	4,745	8.73 m	
	15 ft	lb			*44,090	*44,090	*30,310	29,550	*24,040	18,710	20,200	13,150		*12,830	10,460	28.6 ft	
	3.0 m	kg					*15,808	12,379	*11,789	8,047	8,936	5,756		*5,956	4,386	9.05 m	
	10 ft	lb					*34,850	27,290	*25,990	17,740	19,700	12,690		*13,130	9,670	29.7 ft	
	1.5 m	kg					*16,865	11,567	12,252	7,639	8,704	5,547		*6,305	4,264	9.10 m	
	5 ft	lb					*37,180	25,500	27,010	16,840	19,190	12,230		*13,900	9,400	29.9 ft	
	0.0 m	kg					*16,329	11,190	11,952	7,371	8,541	5,393		6,836	4,354	8.89 m	
	0 ft	lb					*36,000	24,670	26,350	16,250	18,830	11,890		15,070	9,600	29.2 ft	
	-1.5 m	kg			*10,768	*10,768	*14,529	11,113	*11,222	7,271	8,482	5,343		*7,035	4,699	8.40 m	
	-5 ft	lb			*23,740	*23,740	*32,030	24,500	*24,740	16,030	18,700	11,780		*15,510	10,360	27.6 ft	
-3.0 m	kg					*11,521	11,235	*9,036	7,326				*6,101	5,484	7.58 m		
-10 ft	lb					*25,400	24,770	*19,920	16,150				*13,450	12,090	24.9 ft		
Boom : 6.2 m, 20'4" 2-piece boom Arm : 3.7 m, 12'2" Shoe : 800 mm, 2'6" L/Frame: LC	9.0 m	kg						*6,600	*6,600					*5,457	*5,457	6.52 m	
	30 ft	lb						*14,550	*14,550					*12,030	*12,030	21.4 ft	
	7.5 m	kg						*7,212	*7,212	*5,883	*5,883			*4,876	*4,876	7.89 m	
	25 ft	lb						*15,900	*15,900	*12,970	*12,970			*10,750	*10,750	25.9 ft	
	6.0 m	kg						*7,511	*7,511	*7,262	6,210			*4,631	*4,631	8.80 m	
	20 ft	lb						*16,560	*16,560	*16,010	13,690			*10,210	*10,210	28.9 ft	
	4.5 m	kg					*9,045	*9,045	*8,977	8,645	*8,360	6,037	*5,738	4,432	*4,577	4,232	9.37 m
	15 ft	lb					*19,940	*19,940	*19,790	19,060	*18,430	13,310	*12,650	9,770	*10,090	9,330	30.7 ft
	3.0 m	kg					*14,846	12,714	*11,254	8,165	8,995	5,801	6,731	4,332	*4,667	3,937	9.67 m
	10 ft	lb					*32,730	28,030	*24,810	18,000	19,830	12,790	14,840	9,550	*10,290	8,680	31.7 ft
	1.5 m	kg					*16,461	11,753	*12,066	7,702	8,723	5,552	6,604	4,214	*4,908	3,828	9.72 m
	5 ft	lb					*36,290	25,910	*26,600	16,980	19,230	12,240	14,560	9,290	*10,820	8,440	31.9 ft
	0.0 m	kg			*6,096	*6,096	*16,633	11,190	11,952	7,362	8,509	5,357	6,505	4,123	*5,334	3,887	9.53 m
	0 ft	lb			*13,440	*13,440	*36,670	24,670	26,350	16,230	18,760	11,810	14,340	9,090	*11,760	8,570	31.3 ft
	-1.5 m	kg			*10,165	*10,165	*15,431	10,991	*11,657	7,185	8,396	5,253			*6,051	4,146	9.07 m
	-5 ft	lb			*22,410	*22,410	*34,020	24,230	*25,700	15,840	18,510	11,580			*13,340	9,140	29.8 ft
-3.0 m	kg			*15,780	*15,780	*12,995	11,027	*10,024	7,176	*7,439	5,271			*5,996	4,717	8.31 m	
-10 ft	lb			*34,790	*34,790	*28,650	24,310	*22,100	15,820	*16,400	11,620			*13,220	10,400	27.3 ft	
-4.5 m	kg					*9,045	*9,045	*6,845	*6,845							7.16 m	
-15 ft	lb					*19,940	*19,940	*15,090	*15,090							23.5 ft	

# Specifications

## LIFTING CAPACITY - ECR355EL

At the arm end without bucket.

For Lifting capacity including bucket, simply subtract actual weight of the direct fit bucket or the bucket with quick fit from the following values.

Notes: 1. Machine in "Fine Mode-F" (Power Boost) for lifting capacities. 2. The above loads are in compliance with SAE J1097 and ISO 10567 Hydraulic Excavator Lifting Capacity Standards. 3. Rated loads do not exceed 87% of hydraulic lifting capacity or 75% of tipping load. 4. Rated loads marked with an asterisk (\*) are limited by hydraulic capacity rather than tipping load.

	Lifting point	1.5m, 5 ft		3 m, 10 ft		4.5 m, 15 ft		6.0 m, 20 ft		7.5 m, 25 ft		9.0 m, 30 ft		Max. reach		
		Along UC		Across UC		Along UC		Across UC		Along UC		Across UC		Along UC	Across UC	Max.
		kg	lb	kg	lb	kg	lb	kg	lb	kg	lb	kg	lb	kg	lb	m
Boom : 6.2 m, 20'4" 2-piece boom Arm : 2.55 m, 8'4" Shoe : 800 mm, 2'6" L/Frame: LC Dozer blade down	9.0 m					*10,637	*10,637							*10,460	*10,460	4.61 m
	30 ft					*23,450	*23,450							*23,060	*23,060	15.1 ft
	7.5 m					*11,567	*11,567	*10,478	9,426					*8,972	8,609	6.42 m
	25 ft					*25,500	*25,500	*23,100	20,780					*19,780	18,980	21.1 ft
	6.0 m					*12,487	*12,487	*10,673	9,339					*8,496	6,618	7.51 m
	20 ft					*27,530	*27,530	*23,530	20,590					*18,730	14,590	24.6 ft
	4.5 m					*14,542	14,080	*11,340	9,013	*9,544	6,378			*8,469	5,684	8.17 m
	15 ft					*32,060	31,040	*25,000	19,870	*21,040	14,060			*18,670	12,530	26.8 ft
	3.0 m					*16,393	13,073	*12,102	8,591	*9,770	6,196			*8,732	5,230	8.52 m
	10 ft					*36,140	28,820	*26,680	18,940	*21,540	13,660			*19,250	11,530	27.9 ft
	1.5 m					*16,887	12,383	*12,469	8,228	*9,802	6,015			*8,432	5,085	8.57 m
	5 ft					*37,230	27,300	*27,490	18,140	*21,610	13,260			*18,590	11,210	28.1 ft
	0.0 m					*15,767	12,147	*12,070	8,015	*9,335	5,901			*8,056	5,216	8.35 m
	0 ft					*34,760	26,780	*26,610	17,670	*20,580	13,010			*17,760	11,500	27.4 ft
	-1.5 m			*11,662	*11,662	*13,553	12,156	*10,709	7,965	*7,924	5,892			*7,439	5,697	7.83 m
	-5 ft			*25,710	*25,710	*29,880	26,800	*23,610	17,560	*17,470	12,990			*16,400	12,560	25.7 ft
-3.0 m					*10,133	*10,133	*7,992	*7,992					*6,228	*6,228	6.93 m	
-10 ft					*22,340	*22,340	*17,620	*17,620					*13,730	*13,730	22.7 ft	
Boom : 6.2 m, 20'4" 2-piece boom Arm : 3.05 m, 10' Shoe : 800 mm, 2'6" L/Frame: LC Dozer blade down	9.0 m					*9,217	*9,217							*7,153	*7,153	5.54 m
	30 ft					*20,320	*20,320							*15,770	*15,770	18.2 ft
	7.5 m							*8,777	*8,777					*6,237	*6,237	7.12 m
	25 ft							*19,350	*19,350					*13,750	*13,750	23.3 ft
	6.0 m					*9,185	*9,185	*9,598	9,476	*8,110	6,577			*5,892	*5,892	8.11 m
	20 ft					*20,250	*20,250	*21,160	20,890	*17,880	14,500			*12,990	*12,990	26.6 ft
	4.5 m			*19,999	*19,999	*13,748	*13,748	*10,904	9,135	*9,253	6,450			*5,820	5,157	8.73 m
	15 ft			*44,090	*44,090	*30,310	*30,310	*24,040	20,140	*20,400	14,220			*12,830	11,370	28.6 ft
	3.0 m					*15,808	13,340	*11,789	8,691	*9,589	6,241			*5,956	4,781	9.05 m
	10 ft					*34,850	29,410	*25,990	19,160	*21,140	13,760			*13,130	10,540	29.7 ft
	1.5 m					*16,865	12,528	*12,360	8,287	*9,770	6,033			*6,305	4,654	9.10 m
	5 ft					*37,180	27,620	*27,250	18,270	*21,540	13,300			*13,900	10,260	29.9 ft
	0.0 m					*16,329	12,152	*12,242	8,020	*9,530	5,883			*6,931	4,754	8.89 m
	0 ft					*36,000	26,790	*26,990	17,680	*21,010	12,970			*15,280	10,480	29.2 ft
	-1.5 m			*10,768	*10,768	*14,529	12,075	*11,222	7,915	*8,559	5,829			*7,035	5,130	8.40 m
	-5 ft			*23,740	*23,740	*32,030	26,620	*24,740	17,450	*18,870	12,850			*15,510	11,310	27.6 ft
-3.0 m					*11,521	*11,521	*9,036	7,970					*6,101	5,974	7.58 m	
-10 ft					*25,400	*25,400	*19,920	17,570					*13,450	13,170	24.9 ft	
Boom : 6.2 m, 20'4" 2-piece boom Arm : 3.7 m, 12'2" Shoe : 800 mm, 2'6" L/Frame: LC Dozer blade down	9.0 m							*6,600	*6,600					*5,457	*5,457	6.52 m
	30 ft							*14,550	*14,550					*12,030	*12,030	21.4 ft
	7.5 m							*7,212	*7,212	*5,883	*5,883			*4,876	*4,876	7.89 m
	25 ft							*15,900	*15,900	*12,970	*12,970			*10,750	*10,750	25.9 ft
	6.0 m							*7,511	*7,511	*7,262	6,695			*4,631	*4,631	8.80 m
	20 ft							*16,560	*16,560	*16,010	14,760			*10,210	*10,210	28.9 ft
	4.5 m					*9,045	*9,045	*8,977	*8,977	*8,360	6,527	*5,738	4,822	*4,577	*4,577	9.37 m
	15 ft					*19,940	*19,940	*19,790	*19,790	*18,430	14,390	*12,650	10,630	*10,090	*10,090	30.7 ft
	3.0 m					*14,846	13,676	*11,254	8,813	*9,253	6,287	*7,167	4,722	*4,667	4,305	9.67 m
	10 ft					*32,730	30,150	*24,810	19,430	*20,400	13,860	*15,800	10,410	*10,290	9,490	31.7 ft
	1.5 m					*16,461	12,714	*12,066	8,346	*9,603	6,042	*7,906	4,604	*4,908	4,191	9.72 m
	5 ft					*36,290	28,030	*26,600	18,400	*21,170	13,320	*17,430	10,150	*10,820	9,240	31.9 ft
	0.0 m			*6,096	*6,096	*16,633	12,156	*12,274	8,006	*9,603	5,847	*7,593	4,513	*5,334	4,259	9.53 m
	0 ft			*13,440	*13,440	*36,670	26,800	*27,060	17,650	*21,170	12,890	*16,740	9,950	*11,760	9,390	31.3 ft
	-1.5 m			*10,165	*10,165	*15,431	11,952	*11,657	7,834	*9,013	5,738			*6,051	4,540	9.07 m
	-5 ft			*22,410	*22,410	*34,020	26,350	*25,700	17,270	*19,870	12,650			*13,340	10,010	29.8 ft
-3.0 m			*15,780	*15,780	*12,995	11,988	*10,024	7,820	*7,439	5,756			*5,996	5,153	8.31 m	
-10 ft			*34,790	*34,790	*28,650	26,430	*22,100	17,240	*16,400	12,690			*13,220	11,360	27.3 ft	
-4.5 m					*9,045	*9,045	*6,845	*6,845							7.16 m	
-15 ft					*19,940	*19,940	*15,090	*15,090							23.5 ft	



**LIFTING CAPACITY - ECR355EL**

At the arm end without bucket.

For Lifting capacity including bucket, simply subtract actual weight of the direct fit bucket or the bucket with quick fit from the following values.

Notes: 1. Machine in "Fine Mode-F" (Power Boost) for lifting capacities. 2. The above loads are in compliance with SAE J1097 and ISO 10567 Hydraulic Excavator Lifting Capacity Standards. 3. Rated loads do not exceed 87% of hydraulic lifting capacity or 75% of tipping load. 4. Rated loads marked with an asterisk (\*) are limited by hydraulic capacity rather than tipping load.

	Lifting point	1.5m, 5 ft		3 m, 10 ft		4.5 m, 15 ft		6.0 m, 20 ft		7.5 m, 25 ft		9.0 m, 30 ft		Max. reach				
		Along UC	Across UC	Along UC	Across UC	Along UC	Across UC	Along UC	Across UC	Along UC	Across UC	Along UC	Across UC	Along UC	Across UC	Max.		
Boom : 6.2 m, 20'4" Arm : 2.55 m, 8'4" Shoe : 850 mm, 2'8" L/Frame: LC	7.5 m kg							*8,446	*8,446					*8,509	8,224	6.34 m		
	25 ft lb							*18,620	*18,620					*18,760	18,130	20.8 ft		
	6.0 m kg					*9,507	*9,507	*8,596	*8,596					*8,333	6,282	7.44 m		
	20 ft lb					*20,960	*20,960	*18,950	*18,950					*18,370	13,850	24.4 ft		
	4.5 m kg					*11,775	*11,775	*9,548	8,414	*8,518	5,956			8,224	5,380	8.11 m		
	15 ft lb					*25,960	*25,960	*21,050	18,550	*18,780	13,130			18,130	11,860	26.6 ft		
	3.0 m kg					*14,637	12,233	*10,827	8,033	8,918	5,788			7,593	4,940	8.45 m		
	10 ft lb					*32,270	26,970	*23,870	17,710	19,660	12,760			16,740	10,890	27.7 ft		
	1.5 m kg					*16,592	11,598	*11,939	7,697	8,736	5,620			7,416	4,794	8.51 m		
	5 ft lb					*36,580	25,570	*26,320	16,970	19,260	12,390			16,350	10,570	27.9 ft		
	0.0 m kg					*17,014	11,367	12,020	7,493	8,614	5,507			7,639	4,912	8.29 m		
	0 ft lb					*37,510	25,060	26,500	16,520	18,990	12,140			16,840	10,830	27.2 ft		
	-1.5 m kg			*12,646	*12,646	*16,357	11,363	11,957	7,439	8,596	5,493			8,382	5,366	7.76 m		
	-5 ft lb			*27,880	*27,880	*36,060	25,050	26,360	16,400	18,950	12,110			18,480	11,830	25.5 ft		
	-3.0 m kg			*19,355	*19,355	*14,656	11,517	*11,095	7,530					*9,457	6,436	6.86 m		
	-10 ft lb			*42,670	*42,670	*32,310	25,390	*24,460	16,600					*20,850	14,190	22.5 ft		
-4.5 m kg					*11,127	*11,127							*9,158	*9,158	5.39 m			
-15 ft lb					*24,530	*24,530							*20,190	*20,190	17.7 ft			
Boom : 6.2 m, 20'4" Arm : 3.05 m, 10' Shoe : 850 mm, 2'8" L/Frame: LC	9.0 m kg													*6,963	*6,963	5.44 m		
	30 ft lb													*15,350	*15,350	17.8 ft		
	7.5 m kg							*7,607	*7,607					*6,124	*6,124	7.04 m		
	25 ft lb							*16,770	*16,770					*13,500	*13,500	23.1 ft		
	6.0 m kg							*7,929	*7,929	*7,684	6,137			*5,824	5,588	8.04 m		
	20 ft lb							*17,480	*17,480	*16,940	13,530			*12,840	12,320	26.4 ft		
	4.5 m kg			*15,091	*15,091	*10,741	*10,741	*8,940	8,523	*8,042	6,015			*5,797	4,872	8.66 m		
	15 ft lb			*33,270	*33,270	*23,680	*23,680	*19,710	18,790	*17,730	13,260			*12,780	10,740	28.4 ft		
	3.0 m kg					*13,658	12,474	*10,301	8,119	*8,686	5,824			*5,978	4,509	8.98 m		
	10 ft lb					*30,110	27,500	*22,710	17,900	*19,150	12,840			*13,180	9,940	29.5 ft		
	1.5 m kg					*15,994	11,730	*11,562	7,743	8,750	5,629			*6,382	4,386	9.04 m		
	5 ft lb					*35,260	25,860	*25,490	17,070	19,290	12,410			*14,070	9,670	29.7 ft		
	0.0 m kg					*16,933	11,372	12,025	7,493	8,596	5,488			6,949	4,472	8.83 m		
	0 ft lb					*37,330	25,070	26,510	16,520	18,950	12,100			15,320	9,860	29.0 ft		
	-1.5 m kg			*11,576	*11,576	*16,679	11,290	11,911	7,394	8,532	5,434			7,525	4,826	8.34 m		
	-5 ft lb			*25,520	*25,520	*36,770	24,890	26,260	16,300	18,810	11,980			16,590	10,640	27.3 ft		
-3.0 m kg			*19,201	*19,201	*15,377	11,390	*11,594	7,430					8,809	5,625	7.50 m			
-10 ft lb			*42,330	*42,330	*33,900	25,110	*25,560	16,380					19,420	12,400	24.6 ft			
-4.5 m kg			*16,905	*16,905	*12,583	11,675	*9,017	7,675					*8,759	7,521	6.19 m			
-15 ft lb			*37,270	*37,270	*27,740	25,740	*19,880	16,920					*19,310	16,580	20.3 ft			
Boom : 6.2 m, 20'4" Arm : 3.7 m, 12'2" Shoe : 850 mm, 2'8" L/Frame: LC	9.0 m kg							*6,210	*6,210					*5,325	*5,325	6.41 m		
	30 ft lb							*13,690	*13,690					*11,740	*11,740	21.0 ft		
	7.5 m kg									*5,493	*5,493			*4,790	*4,790	7.81 m		
	25 ft lb									*12,110	*12,110			*10,560	*10,560	25.6 ft		
	6.0 m kg							*7,013	*7,013	*6,904	6,232			*4,581	*4,581	8.72 m		
	20 ft lb							*15,460	*15,460	*15,220	13,740			*10,100	*10,100	28.6 ft		
	4.5 m kg					*9,308	*9,308	*8,069	*8,069	*7,389	6,078			*4,554	4,354	9.30 m		
	15 ft lb					*20,520	*20,520	*17,790	*17,790	*16,290	13,400			*11,810	9,900	*10,040	9,600	30.5 ft
	3.0 m kg					*12,270	*12,270	*9,512	8,219	*8,128	5,856	6,763	4,395	*4,677	4,055	9.60 m		
	10 ft lb					*27,050	*27,050	*20,970	18,120	*17,920	12,910	14,910	9,690	*10,310	8,940	31.5 ft		
	1.5 m kg					*14,987	11,893	*10,936	7,793	8,759	5,629	6,645	4,286	*4,953	3,942	9.65 m		
	5 ft lb					*33,040	26,220	*24,110	17,180	19,310	12,410	14,650	9,450	*10,920	8,690	31.7 ft		
	0.0 m kg			*6,854	*6,854	*16,511	11,372	*11,961	7,475	8,559	5,448	6,550	4,196	*5,439	4,001	9.45 m		
	0 ft lb			*15,110	*15,110	*36,400	25,070	*26,370	16,480	18,870	12,010	14,440	9,250	*11,990	8,820	31.0 ft		
	-1.5 m kg	*6,700	*6,700	*10,886	*10,886	*16,797	11,177	11,830	7,312	8,450	5,348			*6,241	4,264	9.00 m		
	-5 ft lb	*14,770	*14,770	*24,000	*24,000	*37,030	24,640	26,080	16,120	18,630	11,790			*13,760	9,400	29.5 ft		
-3.0 m kg	*11,272	*11,272	*16,429	*16,429	*16,007	11,195	11,807	7,289	8,455	5,352			*7,598	4,844	8.23 m			
-10 ft lb	*24,850	*24,850	*36,220	*36,220	*35,290	24,680	26,030	16,070	18,640	11,800			16,750	10,680	27.0 ft			
-4.5 m kg			*19,405	*19,405	*13,948	11,394	*10,378	7,430					*8,333	6,101	7.06 m			
-15 ft lb			*42,780	*42,780	*30,750	25,120	*22,880	16,380					*18,370	13,450	23.2 ft			

# Specifications

## LIFTING CAPACITY - ECR355EL

At the arm end without bucket.

For Lifting capacity including bucket, simply subtract actual weight of the direct fit bucket or the bucket with quick fit from the following values.

Notes: 1. Machine in "Fine Mode-F" (Power Boost) for lifting capacities. 2. The above loads are in compliance with SAE J1097 and ISO 10567 Hydraulic Excavator Lifting Capacity Standards. 3. Rated loads do not exceed 87% of hydraulic lifting capacity or 75% of tipping load. 4. Rated loads marked with an asterisk (\*) are limited by hydraulic capacity rather than tipping load.

	Lifting point	1.5m, 5 ft		3 m, 10 ft		4.5 m, 15 ft		6.0 m, 20 ft		7.5 m, 25 ft		9.0 m, 30 ft		Max. reach		
		Along UC	Across UC	Along UC	Across UC	Along UC	Across UC	Along UC	Across UC	Along UC	Across UC	Along UC	Across UC	Along UC	Across UC	Max.
Boom : 6.2 m, 20'4" Arm : 2.55 m, 8'4" Shoe : 850 mm, 2'8" L/Frame: LC Dozer blade down	7.5 m kg							*8,446	*8,446					*8,509	*8,509	6.34 m
	25 ft lb							*18,620	*18,620					*18,760	*18,760	20.8 ft
	6.0 m kg					*9,507	*9,507	*8,596	*8,596					*8,333	6,786	7.44 m
	20 ft lb					*20,960	*20,960	*18,950	*18,950					*18,370	14,960	24.4 ft
	4.5 m kg					*11,775	*11,775	*9,548	9,063	*8,518	6,441			*8,369	5,829	8.11 m
	15 ft lb					*25,960	*25,960	*21,050	19,980	*18,780	14,200			*18,450	12,850	26.6 ft
	3.0 m kg					*14,637	13,200	*10,827	8,677	*9,063	6,273			*8,514	5,366	8.45 m
	10 ft lb					*32,270	29,100	*23,870	19,130	*19,980	13,830			*18,770	11,830	27.7 ft
	1.5 m kg					*16,592	12,560	*11,939	8,342	*9,607	6,105			*8,736	5,221	8.51 m
	5 ft lb					*36,580	27,690	*26,320	18,390	*21,180	13,460			*19,260	11,510	27.9 ft
	0.0 m kg					*17,014	12,333	*12,496	8,142	*9,875	5,992			*8,999	5,352	8.29 m
	0 ft lb					*37,510	27,190	*27,550	17,950	*21,770	13,210			*19,840	11,800	27.2 ft
	-1.5 m kg			*12,646	*12,646	*16,357	12,329	*12,315	8,083	*9,521	5,978			*9,276	5,842	7.76 m
	-5 ft lb			*27,880	*27,880	*36,060	27,180	*27,150	17,820	*20,990	13,180			*20,450	12,880	25.5 ft
	-3.0 m kg			*19,355	*19,355	*14,656	12,478	*11,095	8,178					*9,457	6,994	6.86 m
	-10 ft lb			*42,670	*42,670	*32,310	27,510	*24,460	18,030					*20,850	15,420	22.5 ft
	-4.5 m kg					*11,127	*11,127							*9,158	*9,158	5.39 m
	-15 ft lb					*24,530	*24,530							*20,190	*20,190	17.7 ft
Boom : 6.2 m, 20'4" Arm : 3.05 m, 10' Shoe : 850 mm, 2'8" L/Frame: LC Dozer blade down	9.0 m kg													*6,963	*6,963	5.44 m
	30 ft lb													*15,350	*15,350	17.8 ft
	7.5 m kg							*7,607	*7,607					*6,124	*6,124	7.04 m
	25 ft lb							*16,770	*16,770					*13,500	*13,500	23.1 ft
	6.0 m kg							*7,929	*7,929	*7,684	6,622			*5,824	*5,824	8.04 m
	20 ft lb							*17,480	*17,480	*16,940	14,600			*12,840	*12,840	26.4 ft
	4.5 m kg			*15,091	*15,091	*10,741	*10,741	*8,940	*8,940	*8,042	6,505			*5,797	5,289	8.66 m
	15 ft lb			*33,270	*33,270	*23,680	*23,680	*19,710	*19,710	*17,730	14,340			*12,780	11,660	28.4 ft
	3.0 m kg					*13,658	13,440	*10,301	8,763	*8,686	6,309			*5,978	4,908	8.98 m
	10 ft lb					*30,110	29,630	*22,710	19,320	*19,150	13,910			*13,180	10,820	29.5 ft
	1.5 m kg					*15,994	12,692	*11,562	8,391	*9,344	6,119			*6,382	4,781	9.04 m
	5 ft lb					*35,260	27,980	*25,490	18,500	*20,600	13,490			*14,070	10,540	29.7 ft
	0.0 m kg					*16,933	12,338	*12,333	8,142	*9,766	5,974			*7,094	4,881	8.83 m
	0 ft lb					*37,330	27,200	*27,190	17,950	*21,530	13,170			*15,640	10,760	29.0 ft
	-1.5 m kg			*11,576	*11,576	*16,679	12,256	*12,410	8,038	*9,702	5,919			*8,323	5,262	8.34 m
	-5 ft lb			*25,520	*25,520	*36,770	27,020	*27,360	17,720	*21,390	13,050			*18,350	11,600	27.3 ft
	-3.0 m kg			*19,201	*19,201	*15,377	12,351	*11,594	8,078					*8,827	6,119	7.50 m
	-10 ft lb			*42,330	*42,330	*33,900	27,230	*25,560	17,810					*19,460	13,490	24.6 ft
-4.5 m kg			*16,905	*16,905	*12,583	*12,583	*9,017	8,323					*8,759	8,156	6.19 m	
-15 ft lb			*37,270	*37,270	*27,740	*27,740	*19,880	18,350					*19,310	17,980	20.3 ft	
Boom : 6.2 m, 20'4" Arm : 3.7 m, 12'2" Shoe : 850 mm, 2'8" L/Frame: LC Dozer blade down	9.0 m kg							*6,210	*6,210					*5,325	*5,325	6.41 m
	30 ft lb							*13,690	*13,690					*11,740	*11,740	21.0 ft
	7.5 m kg									*5,493	*5,493			*4,790	*4,790	7.81 m
	25 ft lb									*12,110	*12,110			*10,560	*10,560	25.6 ft
	6.0 m kg							*7,013	*7,013	*6,904	6,718			*4,581	*4,581	8.72 m
	20 ft lb							*15,460	*15,460	*15,220	14,810			*10,100	*10,100	28.6 ft
	4.5 m kg					*9,308	*9,308	*8,069	*8,069	*7,389	6,563	*5,357	4,881	*4,554	*4,554	9.30 m
	15 ft lb					*20,520	*20,520	*17,790	*17,790	*16,290	14,470	*11,810	10,760	*10,040	*10,040	30.5 ft
	3.0 m kg					*12,270	*12,270	*9,512	8,868	*8,128	6,346	*6,895	4,785	*4,677	4,423	9.60 m
	10 ft lb					*27,050	*27,050	*20,970	19,550	*17,920	13,990	*15,200	10,550	*10,310	9,750	31.5 ft
	1.5 m kg					*14,987	12,855	*10,936	8,441	*8,904	6,119	*7,729	4,677	*4,953	4,309	9.65 m
	5 ft lb					*33,040	28,340	*24,110	18,610	*19,630	13,490	*17,040	10,310	*10,920	9,500	31.7 ft
	0.0 m kg			*6,854	*6,854	*16,511	12,333	*11,961	8,124	*9,498	5,938	*7,797	4,586	*5,439	4,377	9.45 m
	0 ft lb			*15,110	*15,110	*36,400	27,190	*26,370	17,910	*20,940	13,090	*17,190	10,110	*11,990	9,650	31.0 ft
	-1.5 m kg	*6,700	*6,700	*10,886	*10,886	*16,797	12,138	*12,351	7,956	*9,698	5,833			*6,241	4,663	9.00 m
	-5 ft lb	*14,770	*14,770	*24,000	*24,000	*37,030	26,760	*27,230	17,540	*21,380	12,860			*13,760	10,280	29.5 ft
	-3.0 m kg	*11,272	*11,272	*16,429	*16,429	*16,007	12,156	*11,957	7,938	*9,222	5,838			*7,697	5,289	8.23 m
	-10 ft lb	*24,850	*24,850	*36,220	*36,220	*35,290	26,800	*26,360	17,500	*20,330	12,870			*16,970	11,660	27.0 ft
-4.5 m kg			*19,405	*19,405	*13,948	12,360	*10,378	8,074					*8,333	6,636	7.06 m	
-15 ft lb			*42,780	*42,780	*30,750	27,250	*22,880	17,800					*18,370	14,630	23.2 ft	

**LIFTING CAPACITY - ECR355EL**

At the arm end without bucket.

For Lifting capacity including bucket, simply subtract actual weight of the direct fit bucket or the bucket with quick fit from the following values.

Notes: 1. Machine in "Fine Mode-F" (Power Boost) for lifting capacities. 2. The above loads are in compliance with SAE J1097 and ISO 10567 Hydraulic Excavator Lifting Capacity Standards. 3. Rated loads do not exceed 87% of hydraulic lifting capacity or 75% of tipping load. 4. Rated loads marked with an asterisk (\*) are limited by hydraulic capacity rather than tipping load.

	Lifting point	1.5m, 5 ft		3 m, 10 ft		4.5 m, 15 ft		6.0 m, 20 ft		7.5 m, 25 ft		9.0 m, 30 ft		Max. reach		
		Along UC	Across UC	Along UC	Across UC	Along UC	Across UC	Along UC	Across UC	Along UC	Across UC	Along UC	Across UC	Along UC	Across UC	Max.
Boom : 6.2 m, 20'4" 2-piece boom Arm : 2.55 m, 8'4" Shoe : 850 mm, 2'8" L/Frame: LC	9.0 m kg					*10,637	*10,637							*10,460	*10,460	4.61 m
	30 ft lb					*23,450	*23,450							*23,060	*23,060	15.1 ft
	7.5 m kg					*11,567	*11,567	*10,478	8,822					*8,972	8,042	6.42 m
	25 ft lb					*25,500	*25,500	*23,100	19,450					*19,780	17,730	21.1 ft
	6.0 m kg					*12,487	*12,487	*10,673	8,736					*8,496	6,155	7.51 m
	20 ft lb					*27,530	*27,530	*23,530	19,260					*18,730	13,570	24.6 ft
	4.5 m kg					*14,542	13,181	*11,340	8,410	9,131	5,924			8,128	5,266	8.17 m
	15 ft lb					*32,060	29,060	*25,000	18,540	20,130	13,060			17,920	11,610	26.8 ft
	3.0 m kg					*16,393	12,174	*12,102	7,988	8,931	5,742			7,507	4,835	8.52 m
	10 ft lb					*36,140	26,840	*26,680	17,610	19,690	12,660			16,550	10,660	27.9 ft
	1.5 m kg					*16,887	11,485	12,256	7,625	8,736	5,561			7,330	4,690	8.57 m
	5 ft lb					*37,230	25,320	27,020	16,810	19,260	12,260			16,160	10,340	28.1 ft
	0.0 m kg					*15,767	11,249	12,011	7,412	8,605	5,448			7,552	4,808	8.35 m
	0 ft lb					*34,760	24,800	26,480	16,340	18,970	12,010			16,650	10,600	27.4 ft
	-1.5 m kg			*11,662	*11,662	*13,553	11,258	*10,709	7,362	*7,924	5,439			*7,439	5,257	7.83 m
	-5 ft lb			*25,710	*25,710	*29,880	24,820	*23,610	16,230	*17,470	11,990			*16,400	11,590	25.7 ft
-3.0 m kg					*10,133	*10,133	*7,992	7,475					*6,228	*6,228	6.93 m	
-10 ft lb					*22,340	*22,340	*17,620	16,480					*13,730	*13,730	22.7 ft	
Boom : 6.2 m, 20'4" 2-piece boom Arm : 3.05 m, 10' Shoe : 850 mm, 2'8" L/Frame: LC	9.0 m kg					*9,217	*9,217							*7,153	*7,153	5.54 m
	30 ft lb					*20,320	*20,320							*15,770	*15,770	18.2 ft
	7.5 m kg							*8,777	*8,777					*6,237	*6,237	7.12 m
	25 ft lb							*19,350	*19,350					*13,750	*13,750	23.3 ft
	6.0 m kg					*9,185	*9,185	*9,598	8,877	*8,110	6,124			*5,892	5,475	8.11 m
	20 ft lb					*20,250	*20,250	*21,160	19,570	*17,880	13,500			*12,990	12,070	26.6 ft
	4.5 m kg			*19,999	*19,999	*13,748	13,472	*10,904	8,532	9,212	5,996			*5,820	4,772	8.73 m
	15 ft lb			*44,090	*44,090	*30,310	29,700	*24,040	18,810	20,310	13,220			*12,830	10,520	28.6 ft
	3.0 m kg					*15,808	12,442	*11,789	8,088	8,986	5,788			*5,956	4,413	9.05 m
	10 ft lb					*34,850	27,430	*25,990	17,830	19,810	12,760			*13,130	9,730	29.7 ft
	1.5 m kg					*16,865	11,630	12,324	7,684	8,754	5,579			*6,305	4,291	9.10 m
	5 ft lb					*37,180	25,640	27,170	16,940	19,300	12,300			*13,900	9,460	29.9 ft
	0.0 m kg					*16,329	11,254	12,020	7,416	8,591	5,430			6,876	4,382	8.89 m
	0 ft lb					*36,000	24,810	26,500	16,350	18,940	11,970			15,160	9,660	29.2 ft
	-1.5 m kg			*10,768	*10,768	*14,529	11,177	*11,222	7,312	8,532	5,375			*7,035	4,731	8.40 m
	-5 ft lb			*23,740	*23,740	*32,030	24,640	*24,740	16,120	18,810	11,850			*15,510	10,430	27.6 ft
-3.0 m kg					*11,521	11,304	*9,036	7,366					*6,101	5,516	7.58 m	
-10 ft lb					*25,400	24,920	*19,920	16,240					*13,450	12,160	24.9 ft	
Boom : 6.2 m, 20'4" 2-piece boom Arm : 3.7 m, 12'2" Shoe : 850 mm, 2'8" L/Frame: LC	9.0 m kg							*6,600	*6,600					*5,457	*5,457	6.52 m
	30 ft lb							*14,550	*14,550					*12,030	*12,030	21.4 ft
	7.5 m kg							*7,212	*7,212	*5,883	*5,883			*4,876	*4,876	7.89 m
	25 ft lb							*15,900	*15,900	*12,970	*12,970			*10,750	*10,750	25.9 ft
	6.0 m kg							*7,511	*7,511	*7,262	6,241			*4,631	*4,631	8.80 m
	20 ft lb							*16,560	*16,560	*16,010	13,760			*10,210	*10,210	28.9 ft
	4.5 m kg					*9,045	*9,045	*8,977	8,686	*8,360	6,074	*5,738	4,459	*4,577	4,259	9.37 m
	15 ft lb					*19,940	*19,940	*19,790	19,150	*18,430	13,390	*12,650	9,830	*10,090	9,390	30.7 ft
	3.0 m kg					*14,846	12,782	*11,254	8,210	9,045	5,833	6,772	4,359	*4,667	3,964	9.67 m
	10 ft lb					*32,730	28,180	*24,810	18,100	19,940	12,860	14,930	9,610	*10,290	8,740	31.7 ft
	1.5 m kg					*16,461	11,816	*12,066	7,743	8,772	5,588	6,645	4,241	*4,908	3,851	9.72 m
	5 ft lb					*36,290	26,050	*26,600	17,070	19,340	12,320	14,650	9,350	*10,820	8,490	31.9 ft
	0.0 m kg			*6,096	*6,096	*16,633	11,258	12,020	7,403	8,559	5,393	6,545	4,146	*5,334	3,915	9.53 m
	0 ft lb			*13,440	*13,440	*36,670	24,820	26,500	16,320	18,870	11,890	14,430	9,140	*11,760	8,630	31.3 ft
	-1.5 m kg			*10,165	*10,165	*15,431	11,054	*11,657	7,230	8,446	5,284			*6,051	4,173	9.07 m
	-5 ft lb			*22,410	*22,410	*34,020	24,370	*25,700	15,940	18,620	11,650			*13,340	9,200	29.8 ft
-3.0 m kg			*15,780	*15,780	*12,995	11,090	*10,024	7,217	*7,439	5,303			*5,996	4,745	8.31 m	
-10 ft lb			*34,790	*34,790	*28,650	24,450	*22,100	15,910	*16,400	11,690			*13,220	10,460	27.3 ft	
-4.5 m kg					*9,045	*9,045	*6,845	*6,845							7.16 m	
-15 ft lb					*19,940	*19,940	*15,090	*15,090							23.5 ft	



# Specifications

## LIFTING CAPACITY - ECR355EL

At the arm end without bucket.

For Lifting capacity including bucket, simply subtract actual weight of the direct fit bucket or the bucket with quick fit from the following values.

Notes: 1. Machine in "Fine Mode-F" (Power Boost) for lifting capacities. 2. The above loads are in compliance with SAE J1097 and ISO 10567 Hydraulic Excavator Lifting Capacity Standards. 3. Rated loads do not exceed 87% of hydraulic lifting capacity or 75% of tipping load. 4. Rated loads marked with an asterisk (\*) are limited by hydraulic capacity rather than tipping load.

	Lifting point	1.5m, 5 ft		3 m, 10 ft		4.5 m, 15 ft		6.0 m, 20 ft		7.5 m, 25 ft		9.0 m, 30 ft		Max. reach		
		Along UC	Across UC	Along UC	Across UC	Along UC	Across UC	Along UC	Across UC	Along UC	Across UC	Along UC	Across UC	Along UC	Across UC	Max.
Boom : 6.2 m, 20'4" 2-piece boom Arm : 2.55 m, 8'4" Shoe : 850 mm, 2'8" L/Frame: LC Dozer blade down	9.0 m kg					*10,637	*10,637							*10,460	*10,460	4.61 m
	30 ft lb					*23,450	*23,450							*23,060	*23,060	15.1 ft
	7.5 m kg					*11,567	*11,567	*10,478	9,471					*8,972	8,650	6.42 m
	25 ft lb					*25,500	*25,500	*23,100	20,880					*19,780	19,070	21.1 ft
	6.0 m kg					*12,487	*12,487	*10,673	9,385					*8,496	6,650	7.51 m
	20 ft lb					*27,530	*27,530	*23,530	20,690					*18,730	14,660	24.6 ft
	4.5 m kg					*14,542	14,143	*11,340	9,054	*9,544	6,409			*8,469	5,715	8.17 m
	15 ft lb					*32,060	31,180	*25,000	19,960	*21,040	14,130			*18,670	12,600	26.8 ft
	3.0 m kg					*16,393	13,141	*12,102	8,636	*9,770	6,228			*8,732	5,257	8.52 m
	10 ft lb					*36,140	28,970	*26,680	19,040	*21,540	13,730			*19,250	11,590	27.9 ft
	1.5 m kg					*16,887	12,451	*12,469	8,274	*9,802	6,051			*8,432	5,112	8.57 m
	5 ft lb					*37,230	27,450	*27,490	18,240	*21,610	13,340			*18,590	11,270	28.1 ft
	0.0 m kg					*15,767	12,211	*12,070	8,060	*9,335	5,933			*8,056	5,244	8.35 m
	0 ft lb					*34,760	26,920	*26,610	17,770	*20,580	13,080			*17,760	11,560	27.4 ft
	-1.5 m kg			*11,662	*11,662	*13,553	12,224	*10,709	8,010	*7,924	5,928			*7,439	5,729	7.83 m
	-5 ft lb			*25,710	*25,710	*29,880	26,950	*23,610	17,660	*17,470	13,070			*16,400	12,630	25.7 ft
-3.0 m kg					*10,133	*10,133	*7,992	*7,992					*6,228	*6,228	6.93 m	
-10 ft lb					*22,340	*22,340	*17,620	*17,620					*13,730	*13,730	22.7 ft	
Boom : 6.2 m, 20'4" 2-piece boom Arm : 3.05 m, 10' Shoe : 850 mm, 2'6" L/Frame: LC Dozer blade down	9.0 m kg					*9,217	*9,217							*7,153	*7,153	5.54 m
	30 ft lb					*20,320	*20,320							*15,770	*15,770	18.2 ft
	7.5 m kg							*8,777	*8,777					*6,237	*6,237	7.12 m
	25 ft lb							*19,350	*19,350					*13,750	*13,750	23.3 ft
	6.0 m kg					*9,185	*9,185	*9,598	9,521	*8,110	6,613			*5,892	*5,892	8.11 m
	20 ft lb					*20,250	*20,250	*21,160	20,990	*17,880	14,580			*12,990	*12,990	26.6 ft
	4.5 m kg			*19,999	*19,999	*13,748	*13,748	*10,904	9,176	*9,253	6,482			*5,820	5,185	8.73 m
	15 ft lb			*44,090	*44,090	*30,310	*30,310	*24,040	20,230	*20,400	14,290			*12,830	11,430	28.6 ft
	3.0 m kg					*15,808	13,408	*11,789	8,736	*9,589	6,273			*5,956	4,808	9.05 m
	10 ft lb					*34,850	29,560	*25,990	19,260	*21,140	13,830			*13,130	10,600	29.7 ft
	1.5 m kg					*16,865	12,592	*12,360	8,328	*9,770	6,065			*6,305	4,681	9.10 m
	5 ft lb					*37,180	27,760	*27,250	18,360	*21,540	13,370			*13,900	10,320	29.9 ft
	0.0 m kg					*16,329	12,215	*12,242	8,065	*9,530	5,915			*6,931	4,785	8.89 m
	0 ft lb					*36,000	26,930	*26,990	17,780	*21,010	13,040			*15,280	10,550	29.2 ft
	-1.5 m kg			*10,768	*10,768	*14,529	12,143	*11,222	7,961	*8,559	5,860			*7,035	5,162	8.40 m
	-5 ft lb			*23,740	*23,740	*32,030	26,770	*24,740	17,550	*18,870	12,920			*15,510	11,380	27.6 ft
-3.0 m kg					*11,521	*11,521	*9,036	8,015					*6,101	6,006	7.58 m	
-10 ft lb					*25,400	*25,400	*19,920	17,670					*13,450	13,240	24.9 ft	
Boom : 6.2 m, 20'4" 2-piece boom Arm : 3.7 m, 12'2" Shoe : 850 mm, 2'8" L/Frame: LC Dozer blade down	9.0 m kg							*6,600	*6,600					*5,457	*5,457	6.52 m
	30 ft lb							*14,550	*14,550					*12,030	*12,030	21.4 ft
	7.5 m kg							*7,212	*7,212	*5,883	*5,883			*4,876	*4,876	7.89 m
	25 ft lb							*15,900	*15,900	*12,970	*12,970			*10,750	*10,750	25.9 ft
	6.0 m kg							*7,511	*7,511	*7,262	6,727			*4,631	*4,631	8.80 m
	20 ft lb							*16,560	*16,560	*16,010	14,830			*10,210	*10,210	28.9 ft
	4.5 m kg					*9,045	*9,045	*8,977	*8,977	*8,360	6,559	*5,738	4,849	*4,577	*4,577	9.37 m
	15 ft lb					*19,940	*19,940	*19,790	*19,790	*18,430	14,460	*12,650	10,690	*10,090	*10,090	30.7 ft
	3.0 m kg					*14,846	13,744	*11,254	8,854	*9,253	6,319	*7,167	4,749	*4,667	4,327	9.67 m
	10 ft lb					*32,730	30,300	*24,810	19,520	*20,400	13,930	*15,800	10,470	*10,290	9,540	31.7 ft
	1.5 m kg					*16,461	12,778	*12,066	8,391	*9,603	6,074	*7,906	4,631	*4,908	4,214	9.72 m
	5 ft lb					*36,290	28,170	*26,600	18,500	*21,170	13,390	*17,430	10,210	*10,820	9,290	31.9 ft
	0.0 m kg			*6,096	*6,096	*16,633	12,220	*12,274	8,051	*9,603	5,879	*7,593	4,540	*5,334	4,286	9.53 m
	0 ft lb			*13,440	*13,440	*36,670	26,940	*27,060	17,750	*21,170	12,960	*16,740	10,010	*11,760	9,450	31.3 ft
	-1.5 m kg			*10,165	*10,165	*15,431	12,020	*11,657	7,874	*9,013	5,774			*6,051	4,568	9.07 m
	-5 ft lb			*22,410	*22,410	*34,020	26,500	*25,700	17,360	*19,870	12,730			*13,340	10,070	29.8 ft
-3.0 m kg					*15,780	*15,780	*12,995	12,056	*10,024	7,865	*7,439	5,788		*5,996	5,185	8.31 m
-10 ft lb					*34,790	*34,790	*28,650	26,580	*22,100	17,340	*16,400	12,760		*13,220	11,430	27.3 ft
-4.5 m kg							*9,045	*9,045	*6,845	*6,845						7.16 m
-15 ft lb							*19,940	*19,940	*15,090	*15,090						23.5 ft

# Equipment

## STANDARD EQUIPMENT

### Engine

Turbocharged, 6 stroke diesel engine with water cooling, direct injection and charged air cooler that meets Tier 4f requirements

Air filter with indicator

Air intake heater

Fuel filter and water separator

Alternator, 120 A

Delayed engine shutdown

### Electric / Electronic control system

Dig Assist Start

Contronics

- Advanced mode control system

- Self-diagnostic system

Caretrack via GSM or satellite and 3yr-Caretrack subscription

Machine status indication

Engine speed sensing power control

Automatic idling system

One-touch power boost

Safety stop/start function

Adjustable LCD color monitor

Master electrical disconnect switch

Engine restart prevention circuit

High-capacity halogen lights

- Halogen: Frame-mounted 1, Boom-mounted 2

Batteries, 2 x 12 V / 170 Ah

Start motor, 24 V / 5.5 kW

Travel alarm

### Superstructure

Counterweight: 8,450kg (18,630 lb)

Access way with handrail

Tool storage area

Punched metal anti-slip plates

Undercovers (heavy duty)

### Undercarriage

Undercovers

Hydraulic track adjusters

Greased and sealed track link

Standard track guard

### Hydraulic system

Automatic sensing hydraulic system

- Summation system

- Boom priority

- Arm priority

- Swing priority

"ECO" mode fuel saving technology

Boom, arm and bucket regeneration valves

Swing anti-rebound valves

Boom and arm holding valves

Multi-stage filtering system

Cylinder cushioning

Cylinder contamination seals

Automatic two-speed travel motors

Hydraulic oil

Hydraulic piping:

- Breaker & shear, 1 or 2 pump flow

- Quick coupler piping

Work tool management system (up 20 programmable memories)

Pressure pre-setting

Boom float function without HRV

## STANDARD EQUIPMENT

### Cab and interior

Silicon oil and rubber mounts with spring

Control lock out lever

Travel pedals and hand levers

Adjustable operator seat and joystick control console

Fabric seat with heater and air suspension

Heater & air-conditioner, automatic

Flexible antenna

Radio with AUX, USB Jack and Bluetooth

Control lock out lever

Cab, all-weather sound suppressed, includes:

- Cup holders

- Seat belt

- Door locks

- Tinted and safety glass

- Floor mat

- Horn

- Sun screens, front, roof, rear

- Large storage area

- Pull-up type front window

- Removable lower windshield

- Windshield wiper with intermittent feature

Straight travel pedal

Volvo Smart View

Master key

### Track shoes

850 mm (34 in) with triple grousers

### Digging equipment

6.2 m (20'4") mono boom

3.05 m (10'0") arm

Linkage

Manual centralized lubrication

### Service

Tool kit, daily maintenance

# Equipment

## OPTIONAL EQUIPMENT

### Engine

Block heater: 120 V, 240 V

Diesel coolant heater, 5 kW

Water separator with heater

Reversible cooling fan

Arctic regeneration

Auto engine shutdown

Fuel filler pump: 50 l/min (13.2 gal/min), with automatic shut-off

### Electric / Electronic control system

Extra work lights (LED)

- Cab-mounted 3 (Front 2, Rear 1)

- Counterweight-mounted 1

Anti-theft with code lock system

Flashing warning beacon

### Undercarriage

Full track guard

Dozer blade

600/700/800 mm (24/28/32 in) with triple grousers

600 mm (24 in) with double grousers

### Hydraulic system

Boom float function with HRV

Hydraulic piping:

- Slope/Rotator

- Extra for slope & rotator

- Grapple

- Oil leak (drain) line on base machine and boom

Hydraulic oil, ISO VG 32, 46

Hydraulic oil, longlife oil 32, 46, 68

Hydraulic oil, bio 46

### Cab and interior

ROPS (ISO12117-2) certified cab with fixed hatch

ROPS (ISO12117-2) certified cab with openable roof hatch

Fabric seat without heater

Control joysticks with 4 switches each

Control joysticks with 3 switch & 1 proportional

Cab-mounted falling object guard (FOG)

Cab-mounted falling object protective structure (FOPS)

Smoker kit (ashtray and lighter)

Anti vandal kit

Safety net for front window

Sun shield, roof hatch (steel)

Rain shield

Lower wiper

One piece windshield (fixed hatch)

Side view camera

Rear view camera

### Digging equipment

6.2 m (20'4") 2-piece boom

2.55 m (8'4") arm, 3.7 m (12'2") arm

Linkage with lifting eye

## OPTIONAL EQUIPMENT

### Hydraulic quick fit

Volvo hydraulic quick coupler S2 with hook / S2 without hook

Volvo hydraulic quick coupler Universal U35

Volvo hydraulic steelwrist quick coupler S70

### Service

Tool kit, compact

Spare parts kit

### Other

Demolition package:

- Slew ring cover

- Boom cylinder protection

- Bucket cylinder protection

- Heavy Duty side door & hood with screen

### Attachments

General Purpose bucket (GP)

Heavy Duty bucket

Tiltrotator Steelwrist



---

**SELECTION OF VOLVO OPTIONAL EQUIPMENT**

---

**Dozer blade**



**Reversible fan**



**FOG cab mounted**



**Proportional joystick**



**Extra working lights**



**Full track guard**



Not all products are available in all markets. Under our policy of continuous improvement, we reserve the right to change specifications and design without prior notice. The illustrations do not necessarily show the standard version of the machine.



**VOLVO**

Volvo Construction Equipment  
volvoce.com